



## Technical data

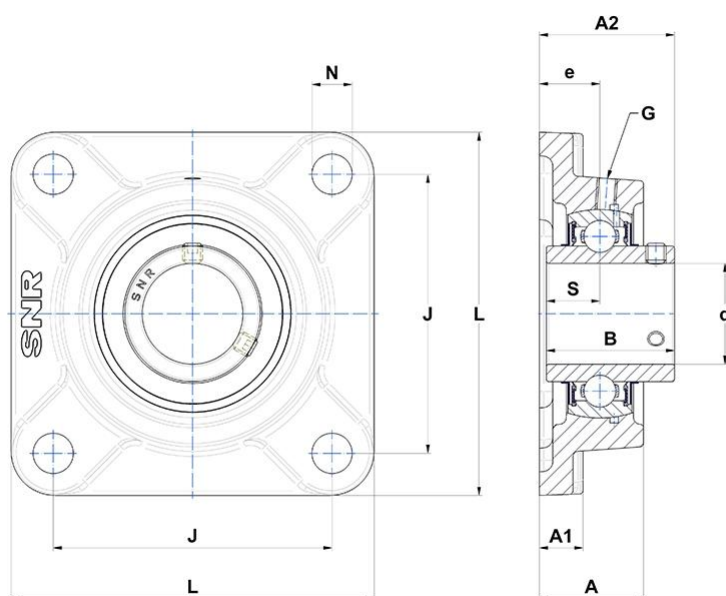
### UCF209 Bearing units

Grey cast housing, radial insert ball bearing with socket set screws, seal with slinger

#### KIT CONTENT

UC209G2, F209

#### VISUAL (S)



#### OTHER FEATURES

Mass	2,12 kg
Recommended tightening torque for set screw [Nm]	11.5 N-m

#### PRODUCT DIMENSIONS

Housing height (A)	38 mm
Housing foot height / flange height (A1)	16 mm
Total height (Housing + Insert) from mounting surface (A2)	52,2 mm

### PRODUCT DIMENSIONS

<b>Width of IR (B)</b>	49,2 mm
<b>Shaft dia (d)</b>	45 mm
<b>Distance mounting surface - bearing center (e)</b>	22 mm
<b>Grease fitting (G)</b>	M6x1
<b>Mounting hole distance (J)</b>	105 mm
<b>Housing width / dia (L)</b>	137 mm
<b>Mounting hole dimension (N)</b>	16 mm
<b>Dist. cent. of raceway to face IR on side opp. lock. device (S)</b>	19 mm
<b>Brand</b>	SNR

### PRODUCT PERFORMANCE

<b>Dynamic load rating (C)</b>	31,85 kN
<b>Static load rating (C0)</b>	20,8 kN
<b>Operating temperature min.</b>	-20 °C
<b>Operating temperature max.</b>	100 °C