



## Technical data

### UCF206

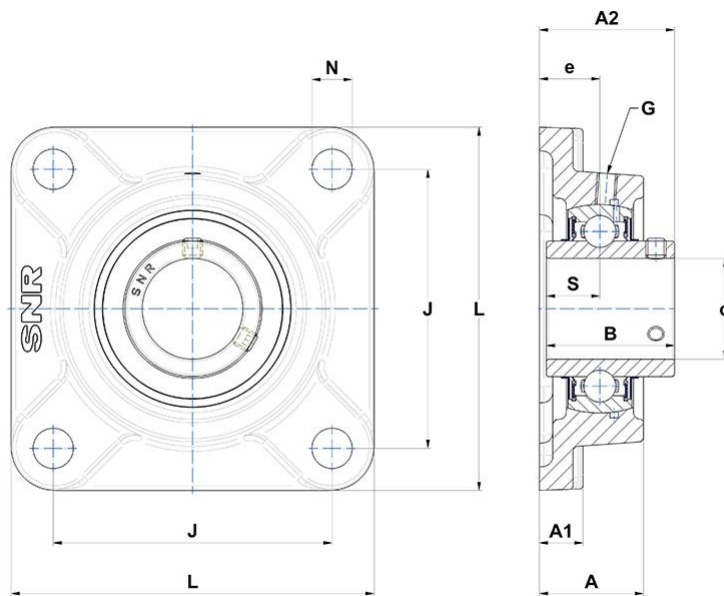
Bearing units

Grey cast housing, radial insert ball bearing with socket set screws, seal with slinger

#### KIT CONTENT

UC206G2, F206

#### VISUAL (S)



#### OTHER FEATURES

<b>Mass</b>	0,79 kg
<b>Recommended tightening torque for set screw [Nm]</b>	5.5 N-m

#### PRODUCT DIMENSIONS

<b>Housing height (A)</b>	31 mm
<b>Housing foot height / flange height (A1)</b>	13 mm
<b>Total height (Housing + Insert) from mouting surface (A2)</b>	40,2 mm

### PRODUCT DIMENSIONS

<b>Width of IR (B)</b>	38,1 mm
<b>Shaft dia (d)</b>	30 mm
<b>Distance mounting surface - bearing center (e)</b>	18 mm
<b>Grease fitting (G)</b>	M6x1
<b>Mounting hole distance (J)</b>	83 mm
<b>Housing width / dia (L)</b>	108 mm
<b>Mounting hole dimension (N)</b>	12 mm
<b>Dist. cent. of raceway to face IR on side opp. lock. device (S)</b>	15,9 mm
<b>Brand</b>	SNR

### PRODUCT PERFORMANCE

<b>Dynamic load rating (C)</b>	19,5 kN
<b>Static load rating (C0)</b>	11,2 kN
<b>Operating temperature min.</b>	-20 °C
<b>Operating temperature max.</b>	100 °C