



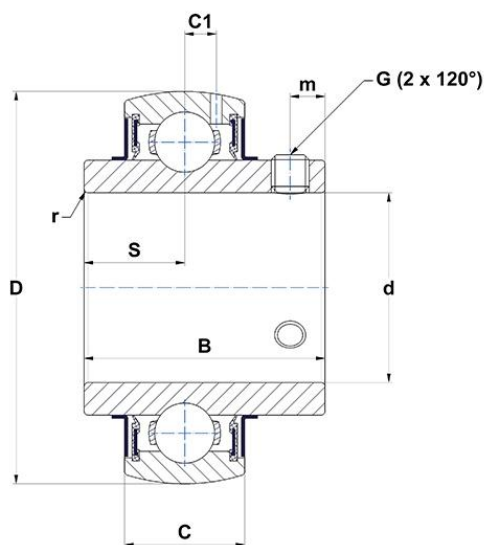
Technical data

UC208G2

Insert bearings

Spherical outer diameter, fixing by socket set screw, seal with slinger

VISUAL (S)



PRODUCT DIMENSIONS

Brand	SNR
Width of IR (B)	49,2 mm
Width of OR (C)	21 mm
Distance from center of OR to center of lubrication zone	6,3 mm
Shaft dia (d)	40 mm
Outer dia of OR (D)	80 mm
Set screw size (G)	M8x1
Distance to set screw (m)	8 mm
Radius IR (r)	1.1
Dist. cent. of raceway to face IR on side opp. lock. device	19 mm
Wrench size (SW)	4 mm

PRODUCT PERFORMANCE

Dynamic load rating (C)	29,6 kN
Static load rating (C0)	18,2 kN
Operating temperature min.	-20 °C
Operating temperature max.	100 °C

OTHER FEATURES

Mass	0,64 kg
Recommended tightening torque for set screw [Nm]	11.5 N-m