



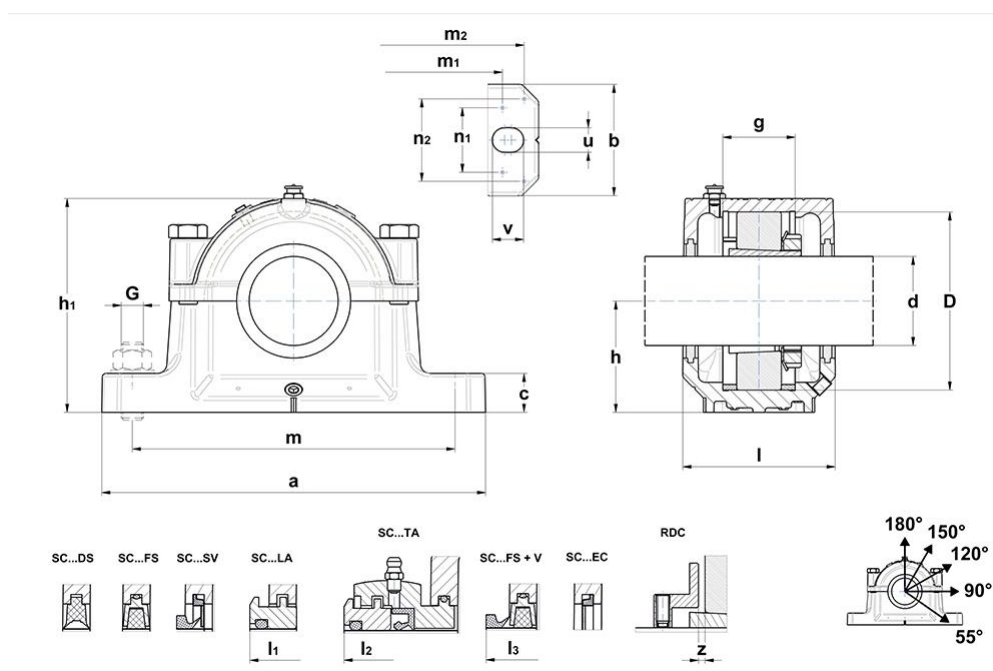
## Technical data

### SNC524

Split bearing housings SNC(D)

Split plummer block for bearings on adapter sleeve, made of grey cast, for grease lubrication

#### VISUAL (S)



#### PRODUCT DIMENSIONS

Shaft diameter (d)	110 mm
Housing length (a)	410 mm
Housing foot width (b)	120 mm
Housing foot height (c)	45 mm
bearing seat width (g)	86 mm
Bearing center height (h)	140 mm
Housing height (h1)	271 mm
Housing mid width (l)	185 mm

PRODUCT DIMENSIONS	
Width over TS (I1)	199 mm
Width over TA (I2)	256 mm
Width over V-ring (I3)	216.0
Mounting hole (or punches) distance (length) (m)	350 mm
distance punches additional holes (m1)	330 mm
distance punches additional holes (width) (n1)	74 mm
distance punches dowel pins (m2)	378 mm
distance punches dowel pins (width) (n2)	88 mm
Mounting hole width (u)	26 mm
Mounting hole length (v)	32 mm
Bearing seat diameter (D)	215 mm
RDC/bearing distance (z)	4 mm
Initial grease quantity	1400 cm <sup>3</sup>
diameter dowel pins	8 mm
distance blind hole bottom pins (m3)	282 mm
Brand	SNR

SEALINGS AND COVER	
Sealing DS	SC 524 DS
Sealing LA	SC 524 LA
Sealing FS	SC 524 FS
Sealing TA	SC 524 TA
Sealing SV	SC 524 SV
end cover EC	SC524-620EC

### SEALINGS AND COVER

V-ring option	V110A
---------------	-------

### ASSOCIATED COMPONENTS - OPTION 1

Bearing	22224K
Adapter sleeve	H 3124
Fixing ring (2x)	FR215x14x5

### ASSOCIATED COMPONENTS - OPTION 2

Bearing	23224K
Adapter sleeve	H 2324
Fixing ring (2x)	FR215x5x6

### ASSOCIATED COMPONENTS - GENERAL

New Designation of housing	SNC524-620-
Regulation disc	RDC524

### BOLTS

Fixing bolts (G)	M24
Recommended torque fixing bolts	500.0 N-m
Connection bolts	M24x130
Recommended torque connection bolts	500.0 N-m
Maximum loads 120°	360 kN
Maximum loads 150°	210 kN
Maximum loads 180°	180 kN

### BREAKING LOADS

Breaking loads P 0°	950 kN
Breaking loads P 55°	800 kN

**BREAKING LOADS**

<b>Breaking loads P 90°</b>	475 kN
<b>Breaking loads P 120°</b>	355 kN
<b>Breaking loads P 150°</b>	320 kN
<b>Breaking loads P 180°</b>	420 kN