



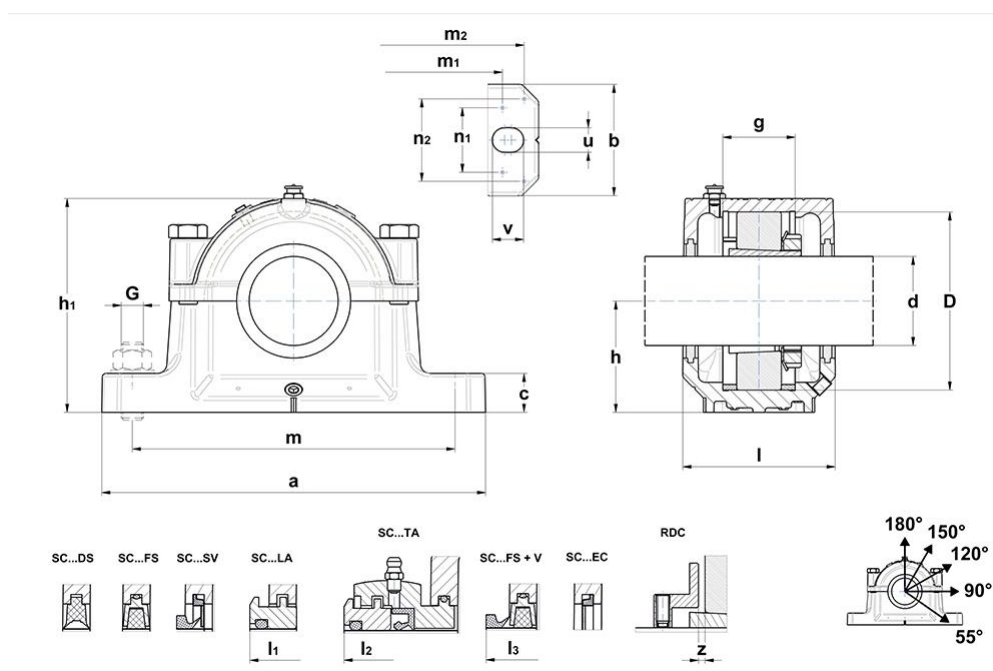
## Technical data

### SNC522

Split bearing housings SNC(D)

Split plummer block for bearings on adapter sleeve, made of grey cast, for grease lubrication

#### VISUAL (S)



#### PRODUCT DIMENSIONS

Shaft diameter (d)	100 mm
Housing length (a)	410 mm
Housing foot width (b)	120 mm
Housing foot height (c)	45 mm
bearing seat width (g)	80 mm
Bearing center height (h)	125 mm
Housing height (h1)	242 mm
Housing mid width (l)	175 mm

<b>PRODUCT DIMENSIONS</b>	
<b>Width over TS (I1)</b>	189 mm
<b>Width over TA (I2)</b>	246 mm
<b>Width over V-ring (I3)</b>	202.0
<b>Mounting hole (or punches) distance (length) (m)</b>	350 mm
<b>distance punches additional holes (m1)</b>	320 mm
<b>distance punches additional holes (width) (n1)</b>	74 mm
<b>distance punches dowel pins (m2)</b>	378 mm
<b>distance punches dowel pins (width) (n2)</b>	88 mm
<b>Mounting hole width (u)</b>	26 mm
<b>Mounting hole length (v)</b>	32 mm
<b>Bearing seat diameter (D)</b>	200 mm
<b>RDC/bearing distance (z)</b>	4 mm
<b>Initial grease quantity</b>	1200 cm <sup>3</sup>
<b>diameter dowel pins</b>	8 mm
<b>distance blind hole bottom pins (m3)</b>	282 mm
<b>Brand</b>	SNR

<b>SEALINGS AND COVER</b>	
<b>Sealing DS</b>	SC 522 DS
<b>Sealing LA</b>	SC 522 LA
<b>Sealing FS</b>	SC 522 FS
<b>Sealing TA</b>	SC 522 TA
<b>Sealing SV</b>	SC 522 SV
<b>end cover EC</b>	SC522-619EC

### SEALINGS AND COVER

<b>V-ring option</b>	V100A
----------------------	-------

### ASSOCIATED COMPONENTS - OPTION 1

<b>Bearing</b>	1222K
<b>Adapter sleeve</b>	H 222
<b>Fixing ring (2x)</b>	FR200x21x6

### ASSOCIATED COMPONENTS - OPTION 2

<b>Bearing</b>	2222K
<b>Adapter sleeve</b>	H 322
<b>Fixing ring (2x)</b>	FR200x13,5x5

### ASSOCIATED COMPONENTS - OPTION 3

<b>Bearing</b>	22222K
<b>Adapter sleeve</b>	H 322
<b>Fixing ring (2x)</b>	FR200x13,5x5

### ASSOCIATED COMPONENTS - OPTION 4

<b>Bearing</b>	23222K
<b>Adapter sleeve</b>	H 2322
<b>Fixing ring (2x)</b>	FR200x5,1x6

### ASSOCIATED COMPONENTS - GENERAL

<b>New Designation of housing</b>	SNC522-619-
<b>Regulation disc</b>	RDC522

### BOLTS

<b>Fixing bolts (G)</b>	M24
<b>Recommended torque fixing bolts</b>	500.0 N-m

BOLTS	
Connection bolts	M24x130
Recommended torque connection bolts	500.0 N-m
Maximum loads 120°	360 kN
Maximum loads 150°	210 kN
Maximum loads 180°	180 kN

BREAKING LOADS	
Breaking loads P 0°	950 kN
Breaking loads P 55°	800 kN
Breaking loads P 90°	450 kN
Breaking loads P 120°	355 kN
Breaking loads P 150°	320 kN
Breaking loads P 180°	400 kN