



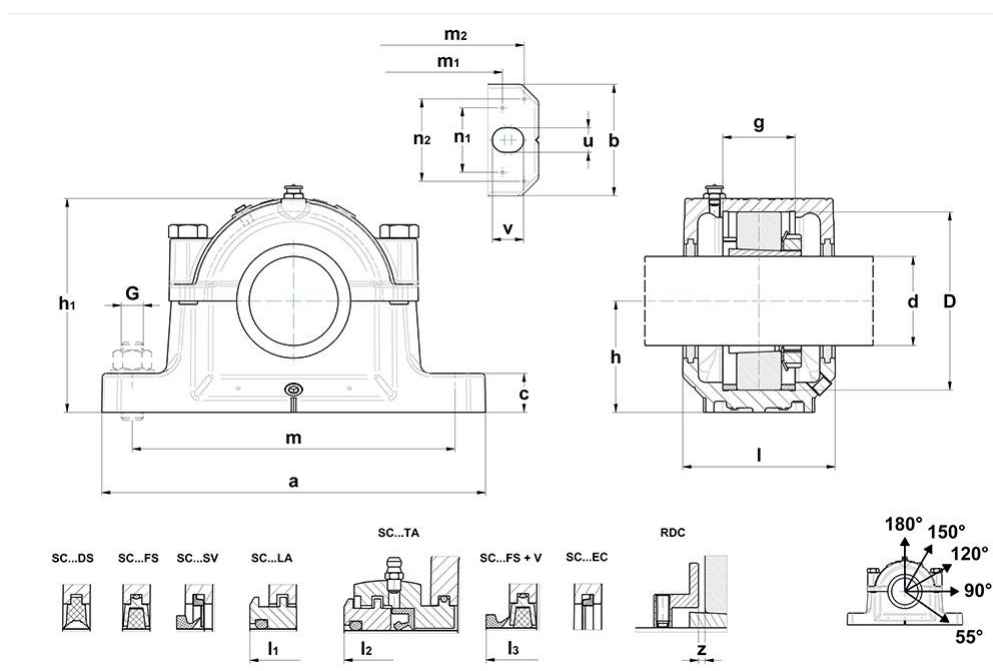
## Technical data

### SNC520

Split bearing housings SNC(D)

Split plummer block for bearings on adapter sleeve, made of grey cast, for grease lubrication

#### VISUAL (S)



#### PRODUCT DIMENSIONS

|                           |        |
|---------------------------|--------|
| Shaft diameter (d)        | 90 mm  |
| Housing length (a)        | 380 mm |
| Housing foot width (b)    | 110 mm |
| Housing foot height (c)   | 40 mm  |
| bearing seat width (g)    | 70 mm  |
| Bearing center height (h) | 112 mm |
| Housing height (h1)       | 215 mm |
| Housing mid width (l)     | 160 mm |

| PRODUCT DIMENSIONS                               |                     |
|--|---------------------|
| Width over TS (I1)                               | 174 mm              |
| Width over TA (I2)                               | 231 mm              |
| Width over V-ring (I3)                           | 187.0               |
| Mounting hole (or punches) distance (length) (m) | 320 mm              |
| distance punches additional holes (m1)           | 300 mm              |
| distance punches additional holes (width) (n1)   | 66 mm               |
| distance punches dowel pins (m2)                 | 348 mm              |
| distance punches dowel pins (width) (n2)         | 78 mm               |
| Mounting hole width (u)                          | 26 mm               |
| Mounting hole length (v)                         | 32 mm               |
| Bearing seat diameter (D)                        | 180 mm              |
| RDC/bearing distance (z)                         | 4 mm                |
| Initial grease quantity                          | 900 cm <sup>3</sup> |
| diameter dowel pins                              | 8 mm                |
| distance blind hole bottom pins (m3)             | 250 mm              |
| Brand  | SNR                 |

| SEALINGS AND COVER |             |
|--------------------|-------------|
| Sealing DS         | SC 520 DS   |
| Sealing LA         | SC 520 LA   |
| Sealing FS         | SC 520 FS   |
| Sealing TA         | SC 520 TA   |
| Sealing SV         | SC 520 SV   |
| end cover EC       | SC520-617EC |

### SEALINGS AND COVER

|                      |      |
|----------------------|------|
| <b>V-ring option</b> | V90A |
|----------------------|------|

### ASSOCIATED COMPONENTS - OPTION 1

|                         |            |
|-------------------------|------------|
| <b>Bearing</b>          | 1220K      |
| <b>Adapter sleeve</b>   | H 220      |
| <b>Fixing ring (2x)</b> | FR180x18x6 |

### ASSOCIATED COMPONENTS - OPTION 2

|                         |            |
|-------------------------|------------|
| <b>Bearing</b>          | 2220K      |
| <b>Adapter sleeve</b>   | H 320      |
| <b>Fixing ring (2x)</b> | FR180x12x5 |

### ASSOCIATED COMPONENTS - OPTION 3

|                         |            |
|-------------------------|------------|
| <b>Bearing</b>          | 22220K     |
| <b>Adapter sleeve</b>   | H 320      |
| <b>Fixing ring (2x)</b> | FR180x12x5 |

### ASSOCIATED COMPONENTS - OPTION 4

|                         |                 |
|-------------------------|-----------------|
| <b>Bearing</b>          | 23220K          |
| <b>Adapter sleeve</b>   | H 2320          |
| <b>Fixing ring (2x)</b> | FR180x4,85x4,85 |

### ASSOCIATED COMPONENTS - GENERAL

|                                   |             |
|-----------------------------------|-------------|
| <b>New Designation of housing</b> | SNC520-617- |
| <b>Regulation disc</b>            | RDC520      |

### BOLTS

|  |           |
|--|-----------|
| <b>Fixing bolts (G)</b>                | M24       |
| <b>Recommended torque fixing bolts</b> | 500.0 N-m |

| <b>BOLTS</b>                               |           |
|--|-----------|
| <b>Connection bolts</b>                    | M24x100   |
| <b>Recommended torque connection bolts</b> | 500.0 N-m |
| <b>Maximum loads 120°</b>                  | 360 kN    |
| <b>Maximum loads 150°</b>                  | 210 kN    |
| <b>Maximum loads 180°</b>                  | 180 kN    |

| <b>BREAKING LOADS</b>        |        |
|------------------------------|--------|
| <b>Breaking loads P 0°</b>   | 750 kN |
| <b>Breaking loads P 55°</b>  | 630 kN |
| <b>Breaking loads P 90°</b>  | 375 kN |
| <b>Breaking loads P 120°</b> | 280 kN |
| <b>Breaking loads P 150°</b> | 250 kN |
| <b>Breaking loads P 180°</b> | 320 kN |