



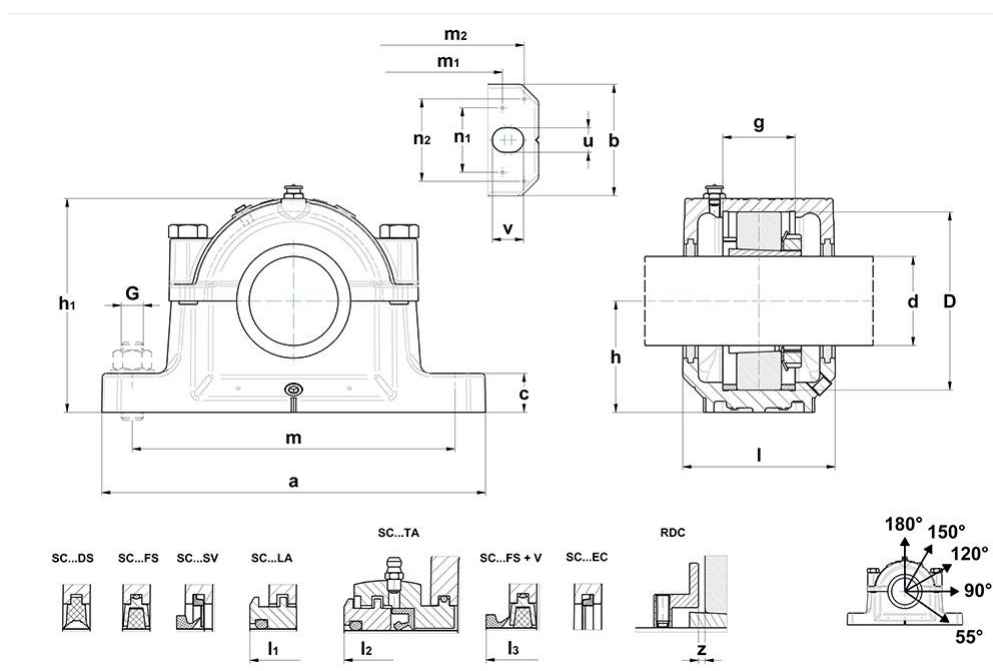
Technical data

SNC519

Split bearing housings SNC(D)

Split plummer block for bearings on adapter sleeve, made of grey cast, for grease lubrication

VISUAL (S)



PRODUCT DIMENSIONS

Shaft diameter (d)	85 mm
Housing length (a)	345 mm
Housing foot width (b)	100 mm
Housing foot height (c)	35 mm
bearing seat width (g)	68 mm
Bearing center height (h)	112 mm
Housing height (h1)	212 mm
Housing mid width (l)	145 mm

PRODUCT DIMENSIONS	
Width over TS (I1)	159 mm
Width over TA (I2)	216 mm
Width over V-ring (I3)	172.0
Mounting hole (or punches) distance (length) (m)	290 mm
distance punches additional holes (m1)	280 mm
distance punches additional holes (width) (n1)	58 mm
distance punches dowel pins (m2)	317 mm
distance punches dowel pins (width) (n2)	70 mm
Mounting hole width (u)	22 mm
Mounting hole length (v)	28 mm
Bearing seat diameter (D)	170 mm
RDC/bearing distance (z)	4 mm
Initial grease quantity	700 cm ³
diameter dowel pins	6 mm
distance blind hole bottom pins (m3)	227 mm
Brand	SNR

SEALINGS AND COVER	
Sealing DS	SC 519 DS
Sealing LA	SC 519 LA
Sealing FS	SC 519 FS
Sealing TA	SC 519 TA
Sealing SV	SC 519 SV
end cover EC	SC519-616EC

SEALINGS AND COVER

V-ring option	V85A
----------------------	------

ASSOCIATED COMPONENTS - OPTION 1

Bearing	1219K
Adapter sleeve	H 219
Fixing ring (2x)	FR170x18x6

ASSOCIATED COMPONENTS - OPTION 2

Bearing	2219K
Adapter sleeve	H 319
Fixing ring (2x)	FR170x12,5x5

ASSOCIATED COMPONENTS - OPTION 3

Bearing	22219K
Adapter sleeve	H 319
Fixing ring (2x)	FR170x12,5x5

ASSOCIATED COMPONENTS - GENERAL

New Designation of housing	SNC519-616-
Regulation disc	RDC519

BOLTS

Fixing bolts (G)	M20
Recommended torque fixing bolts	290.0 N-m
Connection bolts	M20x100
Recommended torque connection bolts	290.0 N-m
Maximum loads 120°	260 kN
Maximum loads 150°	150 kN

BOLTS

Maximum loads 180°	130 kN
---------------------------	--------

BREAKING LOADS

Breaking loads P 0°	710 kN
----------------------------	--------

Breaking loads P 55°	580 kN
-----------------------------	--------

Breaking loads P 90°	355 kN
-----------------------------	--------

Breaking loads P 120°	265 kN
------------------------------	--------

Breaking loads P 150°	230 kN
------------------------------	--------

Breaking loads P 180°	300 kN
------------------------------	--------