



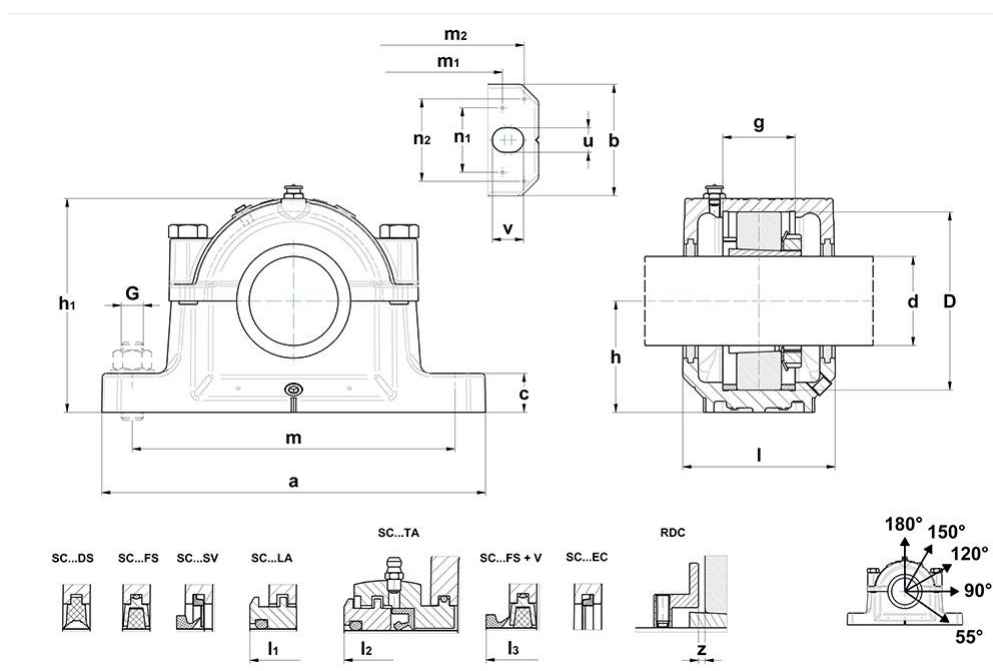
## Technical data

### SNC518

Split bearing housings SNC(D)

Split plummer block for bearings on adapter sleeve, made of grey cast, for grease lubrication

#### VISUAL (S)



#### PRODUCT DIMENSIONS

Shaft diameter (d)	80 mm
Housing length (a)	345 mm
Housing foot width (b)	100 mm
Housing foot height (c)	35 mm
bearing seat width (g)	65 mm
Bearing center height (h)	100 mm
Housing height (h1)	192 mm
Housing mid width (l)	140 mm

PRODUCT DIMENSIONS	
Width over TS (I1)	155 mm
Width over TA (I2)	221 mm
Width over V-ring (I3)	167.0
Mounting hole (or punches) distance (length) (m)	290 mm
distance punches additional holes (m1)	280 mm
distance punches additional holes (width) (n1)	58 mm
distance punches dowel pins (m2)	319 mm
distance punches dowel pins (width) (n2)	74 mm
Mounting hole width (u)	22 mm
Mounting hole length (v)	28 mm
Bearing seat diameter (D)	160 mm
RDC/bearing distance (z)	3 mm
Initial grease quantity	650 cm <sup>3</sup>
diameter dowel pins	6 mm
distance blind hole bottom pins (m3)	227 mm
Brand	SNR

SEALINGS AND COVER	
Sealing DS	SC 518 DS
Sealing LA	SC 518 LA
Sealing FS	SC 518 FS
Sealing TA	SC 518 TA
Sealing SV	SC 518 SV
end cover EC	SC518-615EC

### SEALINGS AND COVER

<b>V-ring option</b>	V80A
----------------------	------

### ASSOCIATED COMPONENTS - OPTION 1

<b>Bearing</b>	1218K
<b>Adapter sleeve</b>	H 218
<b>Fixing ring (2x)</b>	FR160x17,5x6

### ASSOCIATED COMPONENTS - OPTION 2

<b>Bearing</b>	2218K
<b>Adapter sleeve</b>	H 318
<b>Fixing ring (2x)</b>	FR160x12,5x5

### ASSOCIATED COMPONENTS - OPTION 3

<b>Bearing</b>	22218K
<b>Adapter sleeve</b>	H 318
<b>Fixing ring (2x)</b>	FR160x12,5x5

### ASSOCIATED COMPONENTS - OPTION 4

<b>Bearing</b>	23218K
<b>Adapter sleeve</b>	H 2318
<b>Fixing ring (2x)</b>	FR160x6,25x4

### ASSOCIATED COMPONENTS - GENERAL

<b>New Designation of housing</b>	SNC518-615-
<b>Regulation disc</b>	RDC518

### BOLTS

<b>Fixing bolts (G)</b>	M20
<b>Recommended torque fixing bolts</b>	290.0 N-m

<b>BOLTS</b>	
<b>Connection bolts</b>	M20x90
<b>Recommended torque connection bolts</b>	290.0 N-m
<b>Maximum loads 120°</b>	260 kN
<b>Maximum loads 150°</b>	150 kN
<b>Maximum loads 180°</b>	130 kN

<b>BREAKING LOADS</b>	
<b>Breaking loads P 0°</b>	670 kN
<b>Breaking loads P 55°</b>	550 kN
<b>Breaking loads P 90°</b>	340 kN
<b>Breaking loads P 120°</b>	250 kN
<b>Breaking loads P 150°</b>	220 kN
<b>Breaking loads P 180°</b>	285 kN