



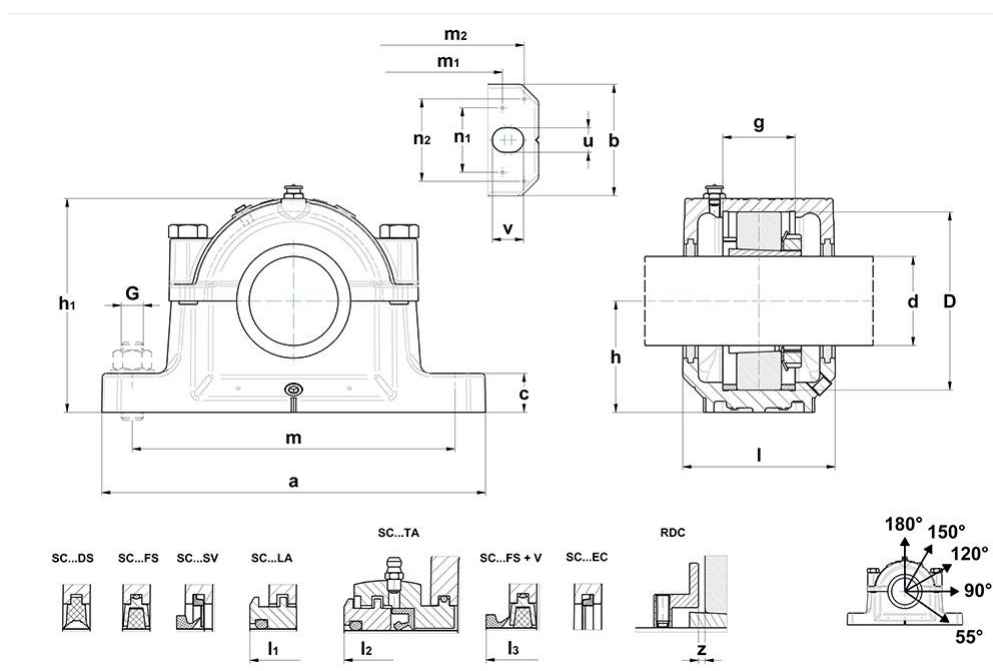
## Technical data

### SNC517

Split bearing housings SNC(D)

Split plummer block for bearings on adapter sleeve, made of grey cast, for grease lubrication

#### VISUAL (S)



#### PRODUCT DIMENSIONS

Shaft diameter (d)	75 mm
Housing length (a)	320 mm
Housing foot width (b)	90 mm
Housing foot height (c)	32 mm
bearing seat width (g)	61 mm
Bearing center height (h)	95 mm
Housing height (h1)	183 mm
Housing mid width (l)	125 mm

PRODUCT DIMENSIONS	
Width over TS (I1)	140 mm
Width over TA (I2)	205 mm
Width over V-ring (I3)	152.0
Mounting hole (or punches) distance (length) (m)	260 mm
distance punches additional holes (m1)	252 mm
distance punches additional holes (width) (n1)	52 mm
distance punches dowel pins (m2)	292 mm
distance punches dowel pins (width) (n2)	66 mm
Mounting hole width (u)	22 mm
Mounting hole length (v)	28 mm
Bearing seat diameter (D)	150 mm
RDC/bearing distance (z)	3 mm
Initial grease quantity	500 cm <sup>3</sup>
diameter dowel pins	6 mm
distance blind hole bottom pins (m3)	210 mm
Brand	SNR

SEALINGS AND COVER	
Sealing DS	SC 517 DS
Sealing LA	SC 517 LA
Sealing FS	SC 517 FS
Sealing TA	SC 517 TA
Sealing SV	SC 517 SV
end cover EC	SC517EC

### SEALINGS AND COVER

<b>V-ring option</b>	V75A
----------------------	------

### ASSOCIATED COMPONENTS - OPTION 1

<b>Bearing</b>	1217K
<b>Adapter sleeve</b>	H 217
<b>Fixing ring (2x)</b>	FR150x16,5x6

### ASSOCIATED COMPONENTS - OPTION 2

<b>Bearing</b>	2217K
<b>Adapter sleeve</b>	H 317
<b>Fixing ring (2x)</b>	FR150x12,5x5

### ASSOCIATED COMPONENTS - OPTION 3

<b>Bearing</b>	22217K
<b>Adapter sleeve</b>	H 317
<b>Fixing ring (2x)</b>	FR150x12,5x5

### ASSOCIATED COMPONENTS - GENERAL

<b>New Designation of housing</b>	SNC517-
<b>Regulation disc</b>	RDC517

### BOLTS

<b>Fixing bolts (G)</b>	M20
<b>Recommended torque fixing bolts</b>	290.0 N-m
<b>Connection bolts</b>	M16x80
<b>Recommended torque connection bolts</b>	150.0 N-m
<b>Maximum loads 120°</b>	180 kN
<b>Maximum loads 150°</b>	100 kN

**BOLTS**

<b>Maximum loads 180°</b>	90 kN
---------------------------	-------

**BREAKING LOADS**

<b>Breaking loads P 0°</b>	560 kN
----------------------------	--------

<b>Breaking loads P 55°</b>	480 kN
-----------------------------	--------

<b>Breaking loads P 90°</b>	290 kN
-----------------------------	--------

<b>Breaking loads P 120°</b>	205 kN
------------------------------	--------

<b>Breaking loads P 150°</b>	191 kN
------------------------------	--------

<b>Breaking loads P 180°</b>	250 kN
------------------------------	--------