



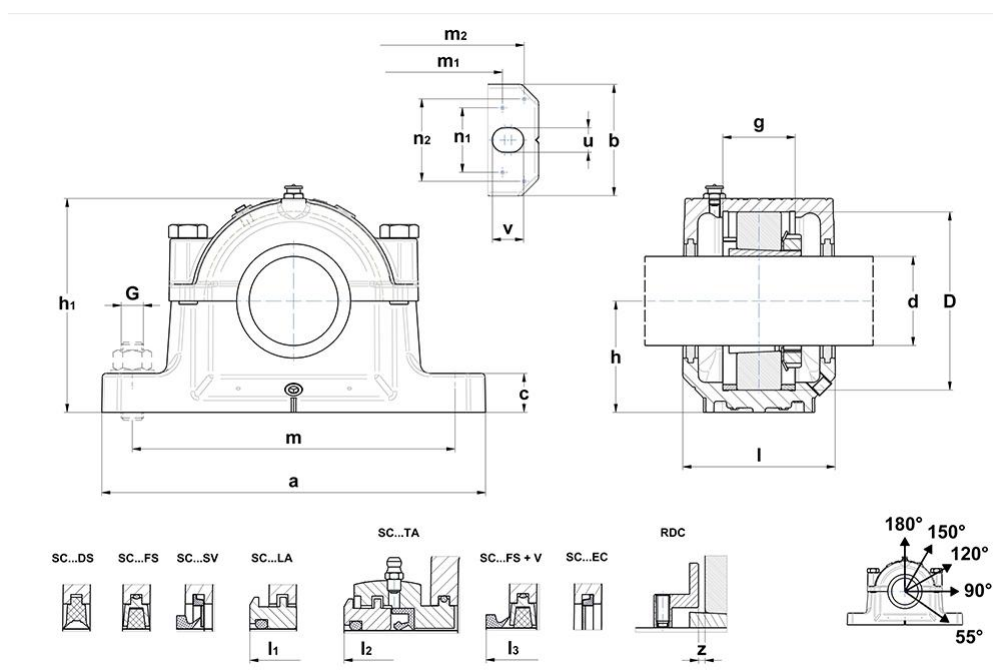
Technical data

SNC515

Split bearing housings SNC(D)

Split plummer block for bearings on adapter sleeve, made of grey cast, for grease lubrication

VISUAL (S)



PRODUCT DIMENSIONS

Shaft diameter (d)	65 mm
Housing length (a)	255 mm
Housing foot width (b)	70 mm
Housing foot height (c)	30 mm
bearing seat width (g)	48 mm
Bearing center height (h)	70 mm
Housing height (h1)	133 mm
Housing mid width (l)	105 mm

PRODUCT DIMENSIONS	
Width over TS (I1)	127 mm
Width over TA (I2)	184 mm
Width over V-ring (I3)	137.0
Mounting hole (or punches) distance (length) (m)	210 mm
distance punches additional holes (m1)	200 mm
distance punches additional holes (width) (n1)	40 mm
distance punches dowel pins (m2)	234 mm
distance punches dowel pins (width) (n2)	54 mm
Mounting hole width (u)	18 mm
Mounting hole length (v)	24 mm
Bearing seat diameter (D)	110 mm
RDC/bearing distance (z)	3 mm
Initial grease quantity	330 cm ³
diameter dowel pins	6 mm
distance blind hole bottom pins (m3)	162 mm
Brand	SNR

SEALINGS AND COVER	
Sealing DS	SC 515 DS
Sealing LA	SC 515 LA
Sealing FS	SC 515 FS
Sealing TA	SC 515 TA
Sealing SV	SC 515 SV
end cover EC	SC515-612EC

SEALINGS AND COVER

V-ring option	V65A
----------------------	------

ASSOCIATED COMPONENTS - OPTION 1

Bearing	1215K
Adapter sleeve	H 215
Fixing ring (2x)	FR130x15,5x5

ASSOCIATED COMPONENTS - OPTION 2

Bearing	2215K
Adapter sleeve	H 315
Fixing ring (2x)	FR130x12,5x5

ASSOCIATED COMPONENTS - OPTION 3

Bearing	22215K
Adapter sleeve	H 315
Fixing ring (2x)	FR130x12,5x5

ASSOCIATED COMPONENTS - GENERAL

New Designation of housing	SNC515-612-
Regulation disc	RDC515

BOLTS

Fixing bolts (G)	M16
Recommended torque fixing bolts	150.0 N-m
Connection bolts	M16x60
Recommended torque connection bolts	150.0 N-m
Maximum loads 120°	180 kN
Maximum loads 150°	100 kN

BOLTS

Maximum loads 180°	90 kN
---------------------------	-------

BREAKING LOADS

Breaking loads P 0°	355 kN
----------------------------	--------

Breaking loads P 55°	300 kN
-----------------------------	--------

Breaking loads P 90°	180 kN
-----------------------------	--------

Breaking loads P 120°	132 kN
------------------------------	--------

Breaking loads P 150°	125 kN
------------------------------	--------

Breaking loads P 180°	160 kN
------------------------------	--------