



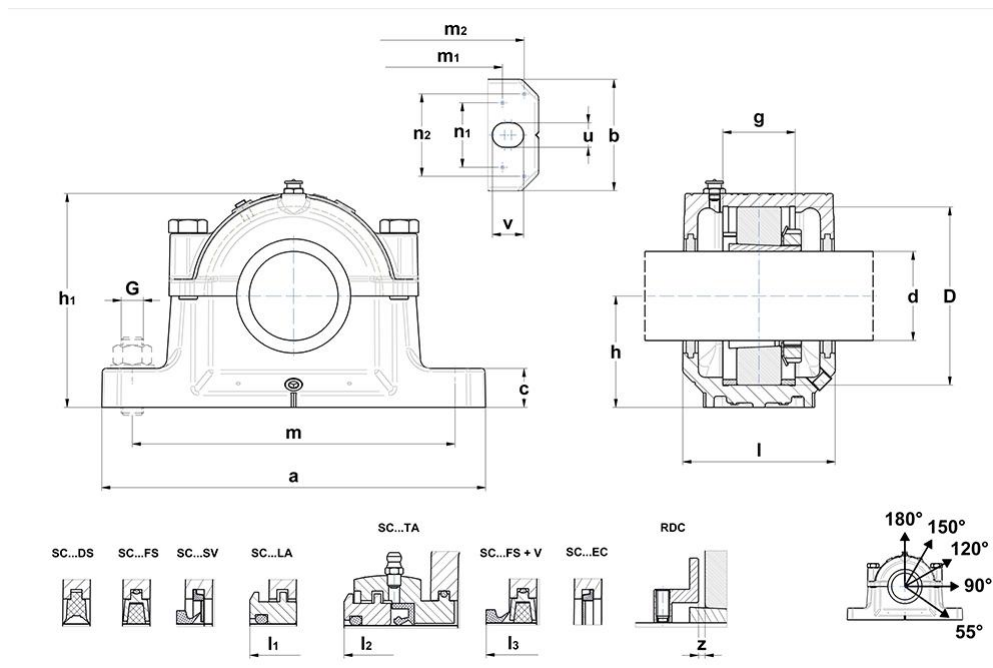
## Technical data

### SNC511

Split bearing housings SNC(D)

Split plummer block for bearings on adapter sleeve, made of grey cast, for grease lubrication

#### VISUAL (S)



#### PRODUCT DIMENSIONS

Shaft diameter (d)	50 mm
Housing length (a)	255 mm
Housing foot width (b)	70 mm
Housing foot height (c)	28 mm
bearing seat width (g)	44 mm
Bearing center height (h)	70 mm
Housing height (h1)	127 mm
Housing mid width (l)	95 mm

PRODUCT DIMENSIONS	
Width over TS (I1)	107 mm
Width over TA (I2)	162 mm
Width over V-ring (I3)	117.0
Mounting hole (or punches) distance (length) (m)	210 mm
distance punches additional holes (m1)	200 mm
distance punches additional holes (width) (n1)	40 mm
distance punches dowel pins (m2)	234 mm
distance punches dowel pins (width) (n2)	49 mm
Mounting hole width (u)	18 mm
Mounting hole length (v)	24 mm
Bearing seat diameter (D)	100 mm
RDC/bearing distance (z)	3 mm
Initial grease quantity	180 cm <sup>3</sup>
diameter dowel pins	6 mm
distance blind hole bottom pins (m3)	162 mm
Brand	SNR

SEALINGS AND COVER	
Sealing DS	SC 511 DS
Sealing LA	SC 511 LA
Sealing FS	SC 511 FS
Sealing TA	SC 511 TA
Sealing SV	SC 511 SV
end cover EC	SC511-609EC

### SEALINGS AND COVER

<b>V-ring option</b>	V50A
----------------------	------

### ASSOCIATED COMPONENTS - OPTION 1

<b>Bearing</b>	1211K
<b>Adapter sleeve</b>	H 211
<b>Fixing ring (2x)</b>	FR100x11,5x4

### ASSOCIATED COMPONENTS - OPTION 2

<b>Bearing</b>	2211K
<b>Adapter sleeve</b>	H 311
<b>Fixing ring (2x)</b>	FR100x9,5x4

### ASSOCIATED COMPONENTS - OPTION 3

<b>Bearing</b>	22211K
<b>Adapter sleeve</b>	H 311
<b>Fixing ring (2x)</b>	FR100x9,5x4

### ASSOCIATED COMPONENTS - GENERAL

<b>New Designation of housing</b>	SNC511-609-
<b>Regulation disc</b>	RDC511

### BOLTS

<b>Fixing bolts (G)</b>	M16
<b>Recommended torque fixing bolts</b>	150.0 N-m
<b>Connection bolts</b>	M16x60
<b>Recommended torque connection bolts</b>	150.0 N-m
<b>Maximum loads 120°</b>	180 kN
<b>Maximum loads 150°</b>	100 kN

### BOLTS

<b>Maximum loads 180°</b>	90 kN
---------------------------	-------

### BREAKING LOADS

<b>Breaking loads P 0°</b>	355 kN
<b>Breaking loads P 55°</b>	280 kN
<b>Breaking loads P 90°</b>	170 kN
<b>Breaking loads P 120°</b>	125 kN
<b>Breaking loads P 150°</b>	118 kN
<b>Breaking loads P 180°</b>	145 kN