



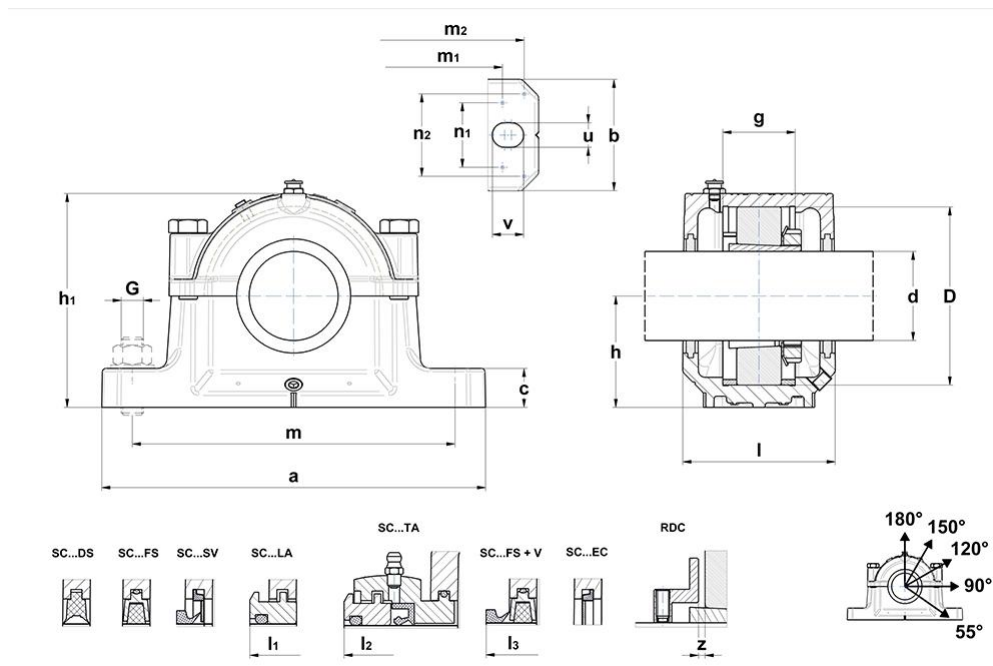
Technical data

SNC510

Split bearing housings SNC(D)

Split plummer block for bearings on adapter sleeve, made of grey cast, for grease lubrication

VISUAL (S)



PRODUCT DIMENSIONS

Shaft diameter (d)	45 mm
Housing length (a)	205 mm
Housing foot width (b)	60 mm
Housing foot height (c)	25 mm
bearing seat width (g)	41 mm
Bearing center height (h)	60 mm
Housing height (h1)	113 mm
Housing mid width (l)	90 mm

PRODUCT DIMENSIONS	
Width over TS (I1)	102 mm
Width over TA (I2)	156 mm
Width over V-ring (I3)	112.0
Mounting hole (or punches) distance (length) (m)	170 mm
distance punches additional holes (m1)	160 mm
distance punches additional holes (width) (n1)	34 mm
distance punches dowel pins (m2)	188 mm
distance punches dowel pins (width) (n2)	44 mm
Mounting hole width (u)	15 mm
Mounting hole length (v)	20 mm
Bearing seat diameter (D)	90 mm
RDC/bearing distance (z)	3 mm
Initial grease quantity	130 cm ³
diameter dowel pins	5 mm
distance blind hole bottom pins (m3)	130 mm
Brand	SNR

SEALINGS AND COVER	
Sealing DS	SC 510 DS
Sealing LA	SC 510 LA
Sealing FS	SC 510 FS
Sealing TA	SC 510 TA
Sealing SV	SC 510 SV
end cover EC	SC510-608EC

SEALINGS AND COVER

V-ring option	V45A
----------------------	------

ASSOCIATED COMPONENTS - OPTION 1

Bearing	1210K
Adapter sleeve	H 210
Fixing ring (2x)	FR90x10,5x4

ASSOCIATED COMPONENTS - OPTION 2

Bearing	2210K
Adapter sleeve	H 310
Fixing ring (2x)	FR90x9x4

ASSOCIATED COMPONENTS - OPTION 3

Bearing	22210K
Adapter sleeve	H 310
Fixing ring (2x)	FR90x9x4

ASSOCIATED COMPONENTS - GENERAL

New Designation of housing	SNC510-608-
Regulation disc	RDC510

BOLTS

Fixing bolts (G)	M12
Recommended torque fixing bolts	65.0 N-m
Connection bolts	M12x55
Recommended torque connection bolts	65.0 N-m
Maximum loads 120°	80 kN
Maximum loads 150°	45 kN

BOLTS

Maximum loads 180°	40 kN
---------------------------	-------

BREAKING LOADS

Breaking loads P 0°	315 kN
----------------------------	--------

Breaking loads P 55°	265 kN
-----------------------------	--------

Breaking loads P 90°	160 kN
-----------------------------	--------

Breaking loads P 120°	121 kN
------------------------------	--------

Breaking loads P 150°	110 kN
------------------------------	--------

Breaking loads P 180°	140 kN
------------------------------	--------