



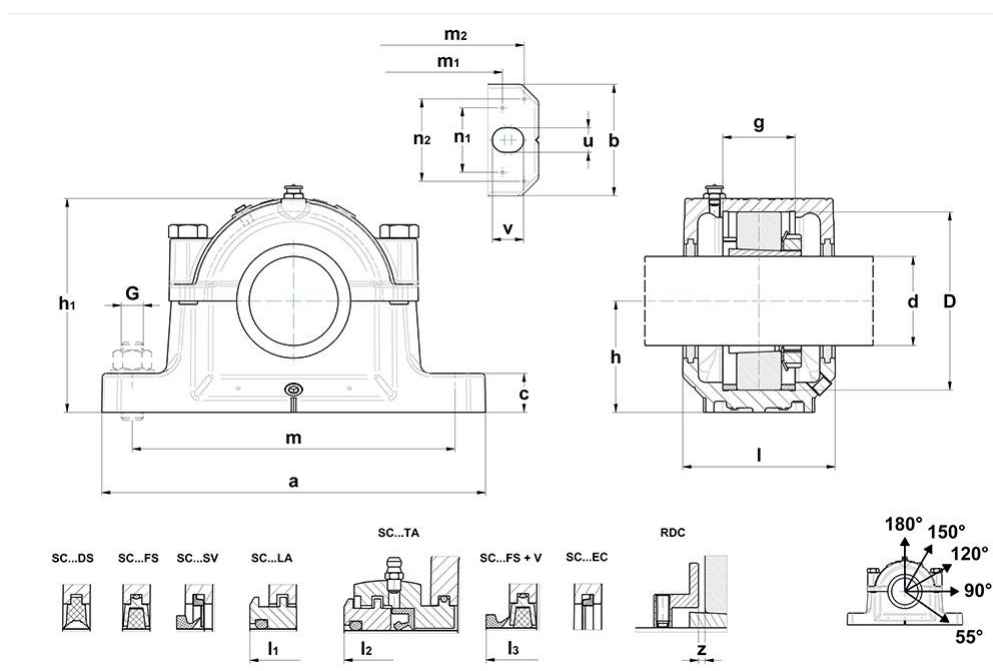
Technical data

SNC509

Split bearing housings SNC(D)

Split plummer block for bearings on adapter sleeve, made of grey cast, for grease lubrication

VISUAL (S)



PRODUCT DIMENSIONS

Shaft diameter (d)	40 mm
Housing length (a)	205 mm
Housing foot width (b)	60 mm
Housing foot height (c)	25 mm
bearing seat width (g)	30 mm
Bearing center height (h)	60 mm
Housing height (h1)	110 mm
Housing mid width (l)	85 mm

PRODUCT DIMENSIONS	
Width over TS (I1)	97 mm
Width over TA (I2)	151 mm
Width over V-ring (I3)	107.0
Mounting hole (or punches) distance (length) (m)	170 mm
distance punches additional holes (m1)	160 mm
distance punches additional holes (width) (n1)	34 mm
distance punches dowel pins (m2)	188 mm
distance punches dowel pins (width) (n2)	44 mm
Mounting hole width (u)	15 mm
Mounting hole length (v)	20 mm
Bearing seat diameter (D)	85 mm
RDC/bearing distance (z)	2 mm
Initial grease quantity	105 cm ³
diameter dowel pins	5 mm
distance blind hole bottom pins (m3)	130 mm
Brand	SNR

SEALINGS AND COVER	
Sealing DS	SC 509 DS
Sealing LA	SC 509 LA
Sealing FS	SC 509 FS
Sealing TA	SC 509 TA
Sealing SV	SC 509 SV
end cover EC	SC509EC

SEALINGS AND COVER

V-ring option	V40A
----------------------	------

ASSOCIATED COMPONENTS - OPTION 1

Bearing	1209K
Adapter sleeve	H 209
Fixing ring (2x)	FR85x5,5x3

ASSOCIATED COMPONENTS - OPTION 2

Bearing	2209K
Adapter sleeve	H 309
Fixing ring (2x)	FR85x3,5x4

ASSOCIATED COMPONENTS - OPTION 3

Bearing	22209K
Adapter sleeve	H 309
Fixing ring (2x)	FR85x3,5x4

ASSOCIATED COMPONENTS - GENERAL

New Designation of housing	SNC509-
Regulation disc	RDC509

BOLTS

Fixing bolts (G)	M12
Recommended torque fixing bolts	65.0 N-m
Connection bolts	M12x55
Recommended torque connection bolts	65.0 N-m
Maximum loads 120°	80 kN
Maximum loads 150°	45 kN

BOLTS

Maximum loads 180°	40 kN
---------------------------	-------

BREAKING LOADS

Breaking loads P 0°	280 kN
----------------------------	--------

Breaking loads P 55°	235 kN
-----------------------------	--------

Breaking loads P 90°	140 kN
-----------------------------	--------

Breaking loads P 120°	100 kN
------------------------------	--------

Breaking loads P 150°	90 kN
------------------------------	-------

Breaking loads P 180°	120 kN
------------------------------	--------