



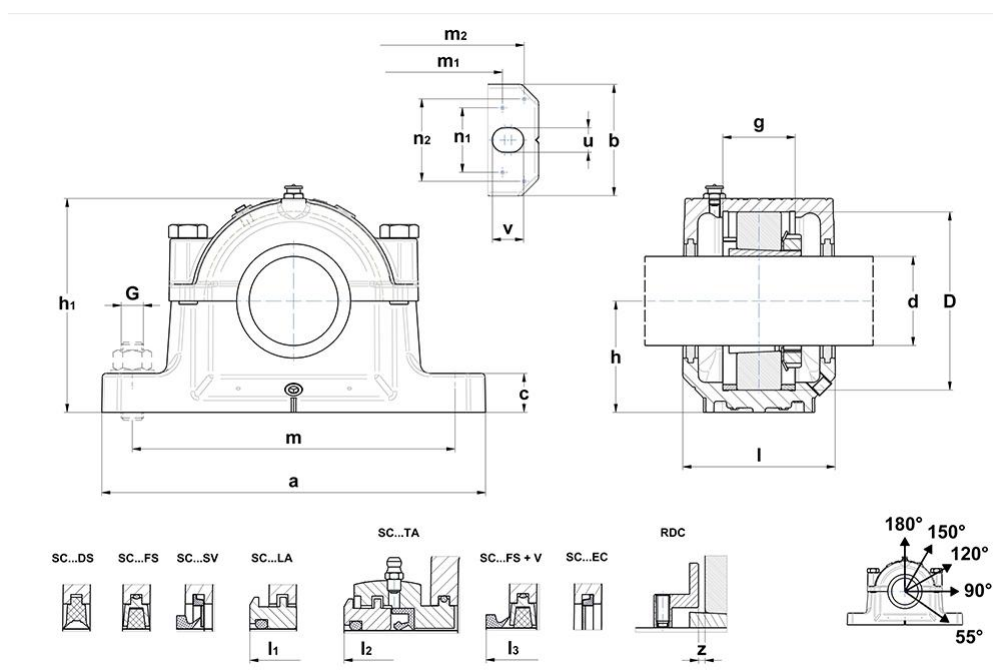
Technical data

SNC508

Split bearing housings SNC(D)

Split plummer block for bearings on adapter sleeve, made of grey cast, for grease lubrication

VISUAL (S)



PRODUCT DIMENSIONS

Shaft diameter (d)	35 mm
Housing length (a)	205 mm
Housing foot width (b)	60 mm
Housing foot height (c)	25 mm
bearing seat width (g)	39 mm
Bearing center height (h)	60 mm
Housing height (h1)	107 mm
Housing mid width (l)	85 mm

PRODUCT DIMENSIONS	
Width over TS (I1)	97 mm
Width over TA (I2)	151 mm
Width over V-ring (I3)	103.0
Mounting hole (or punches) distance (length) (m)	170 mm
distance punches additional holes (m1)	160 mm
distance punches additional holes (width) (n1)	34 mm
distance punches dowel pins (m2)	188 mm
distance punches dowel pins (width) (n2)	44 mm
Mounting hole width (u)	15 mm
Mounting hole length (v)	20 mm
Bearing seat diameter (D)	80 mm
RDC/bearing distance (z)	2 mm
Initial grease quantity	80 cm ³
diameter dowel pins	5 mm
distance blind hole bottom pins (m3)	130 mm
Brand	SNR

SEALINGS AND COVER	
Sealing DS	SC 508 DS
Sealing LA	SC 508 LA
Sealing FS	SC 508 FS
Sealing TA	SC 508 TA
Sealing SV	SC 508 SV
end cover EC	SC508-607EC

SEALINGS AND COVER

V-ring option	V35A
----------------------	------

ASSOCIATED COMPONENTS - OPTION 1

Bearing	1208K
Adapter sleeve	H 208
Fixing ring (2x)	FR80x10,5x4

ASSOCIATED COMPONENTS - OPTION 2

Bearing	2208K
Adapter sleeve	H 308
Fixing ring (2x)	FR80x8x3

ASSOCIATED COMPONENTS - OPTION 3

Bearing	22208K
Adapter sleeve	H 308
Fixing ring (2x)	FR80x8x3

ASSOCIATED COMPONENTS - GENERAL

New Designation of housing	SNC508-607-
Regulation disc	RDC508

BOLTS

Fixing bolts (G)	M12
Recommended torque fixing bolts	65.0 N-m
Connection bolts	M12x50
Recommended torque connection bolts	65.0 N-m
Maximum loads 120°	80 kN
Maximum loads 150°	45 kN

BOLTS

Maximum loads 180°	40 kN
---------------------------	-------

BREAKING LOADS

Breaking loads P 0°	265 kN
----------------------------	--------

Breaking loads P 55°	220 kN
-----------------------------	--------

Breaking loads P 90°	132 kN
-----------------------------	--------

Breaking loads P 120°	95 kN
------------------------------	-------

Breaking loads P 150°	85 kN
------------------------------	-------

Breaking loads P 180°	115 kN
------------------------------	--------