



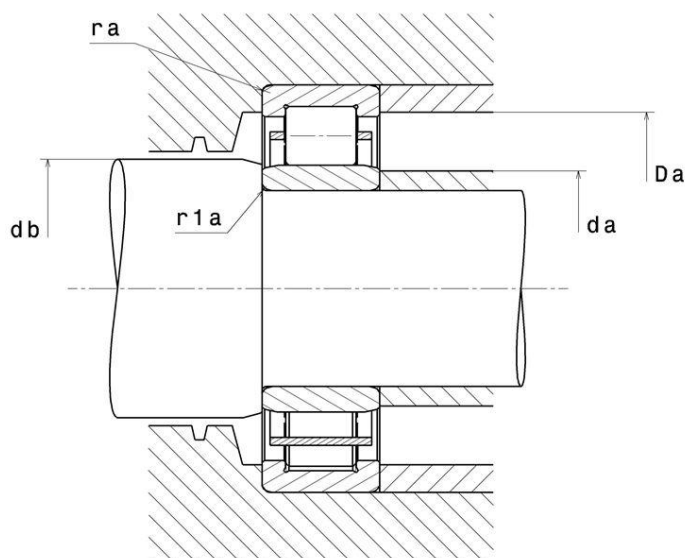
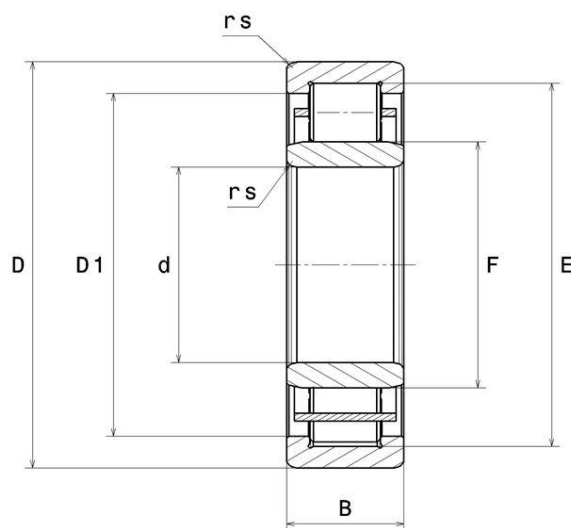
Technical data

NU408

Single row cylindrical roller bearings

Single row cylindrical roller bearing, floating, separable, pressed steel cage

VISUAL (S)



NU408

Single row cylindrical roller bearings

PRODUCT DIMENSIONS

Internal diameter d	40 mm
External diameter D	110 mm
Bearing/Inner ring width(B)	27 mm
Upper roller diameter E	92 mm
Under roller diameter F	58 mm
OR flange inner diameter D1	86,4 mm
Min fillet radius rs	2 mm
Min fillet radius r1s	2 mm
Radial clearance class	CN
Mass	1,3 kg
Brand	SNR

PRODUCT PERFORMANCE

Dynamic load, C	95,7 kN
Static load, C0	89,1 kN
Fatigue limit load, Cu	10,9 kN
Reference thermal speed (Nref)	6700 tr/min
Mechanical Limit Speed Nlim	8200 tr/min
Nlim (oil)	6900 tr/min
Nlim (grease)	5700 tr/min
Min operating temperature, Tmin	-40 °C
Max operating temperature, Tmax	120 °C
Characteristic cage frequency, FTF	0.387 Hz
Characteristic rolling element frequency, BSF	4.185 Hz
Characteristic outer ring frequency, BPF0	3.867 Hz
Characteristic inner ring frequency, BPF1	6.133 Hz

ABUTMENT

Min shoulder diameter IR da min	49 mm
Small face shoulder max diameter da max	57 mm
Max shoulder diameter OR Da max	101 mm
Max fillet radius ra max	2 mm
Maxi fillet radius r1a	2 mm

NU408

Single row cylindrical roller bearings

INDUSTRY CALCUL FACTORS

Equivalent dynamic radial load

$$P = Fr$$

Equivalent static radial load

$$P_0 = Fr$$