



## Technical data

### MUCNFL204

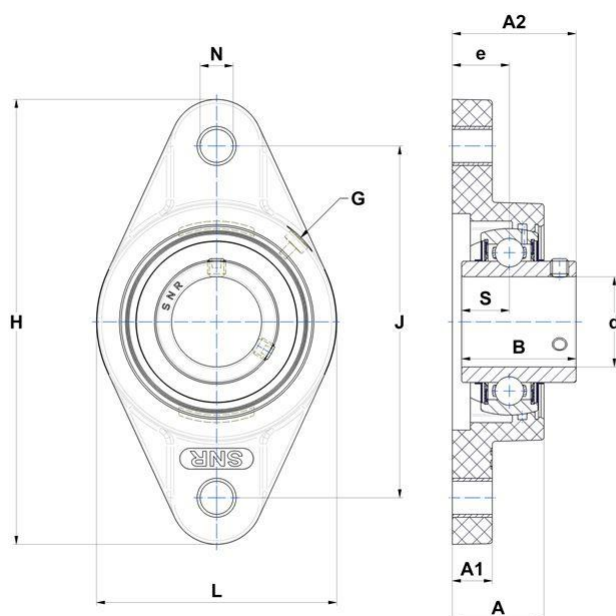
Bearing units

Thermoplastic housing stainless steel insert ball bearing with socket set screws, seal with slinger, food grease

#### KIT CONTENT

MUC204FD, NFL204

#### VISUAL (S)



#### PRODUCT DIMENSIONS

Housing height (A)	26,5 mm
Housing foot height / flange height (A1)	11,4 mm
Total height (Housing + Insert) from mouting surface (A2)	33,7 mm
Width of IR (B)	31 mm
Shaft dia (d)	20 mm

### PRODUCT DIMENSIONS

<b>Distance mounting surface - bearing center (e)</b>	15,4 mm
<b>Grease fitting (G)</b>	1/4"-28
<b>Housing length, width or diameter (H)</b>	113 mm
<b>Mounting hole distance (J)</b>	90 mm
<b>Housing width / dia (L)</b>	64,8 mm
<b>Mounting hole dimension (N)</b>	11 mm
<b>Dist. cent. of raceway to face IR on side opp. lock. device (S)</b>	12,7 mm
<b>Brand</b>	SNR

### OTHER FEATURES

<b>Mass</b>	0,25 kg
<b>Recommended tightening torque for set screw [Nm]</b>	3.9 N-m

### PRODUCT PERFORMANCE

<b>Dynamic load rating (C)</b>	10,9 kN
<b>Static load rating (C0)</b>	5,3 kN
<b>Operating temperature min.</b>	-20 °C
<b>Operating temperature max.</b>	100 °C