

## Technical data

### ESPF208

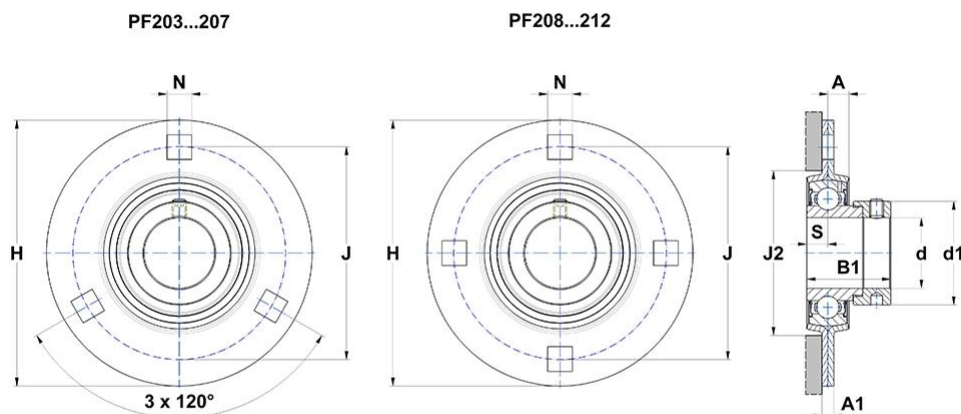
Bearing units

Sheet metal housing, radial insert ball bearing with eccentric locking collar, single lip seal

## KIT CONTENT

ES208G2, PF208

## VISUAL (S)



## OTHER FEATURES

<b>Mass</b>	1,35 kg
<b>Recommended tightening torque for set screw [Nm]</b>	11.5 N-m

## PRODUCT DIMENSIONS

<b>Housing height (A)</b>	10 mm
<b>Housing foot height / flange height (A1)</b>	7 mm
<b>Total height (Housing + Insert) from mouting surface (A2)</b>	32,7 mm

**PRODUCT DIMENSIONS**

<b>Width of IR (B)</b>	30,2 mm
<b>Overall width IR incl. eccent. locking collar/adapt. sleeve(B1)</b>	43,7 mm
<b>Shaft dia (d)</b>	40 mm
<b>Outer dia of eccent. Lock. collar / nut of adapter sleeve (d1)</b>	58 mm
<b>Housing length, width or diameter (H)</b>	147,8 mm
<b>Mounting hole distance (J)</b>	119 mm
<b>Mounting hole dimension (N)</b>	13,5 mm
<b>Dist. cent. of raceway to face IR on side opp. lock. device (S)</b>	11 mm
<b>Brand</b>	SNR

**PRODUCT PERFORMANCE**

<b>Dynamic load rating (C)</b>	29,6 kN
<b>Static load rating (C0)</b>	18,2 kN
<b>Operating temperature min.</b>	-20 °C
<b>Operating temperature max.</b>	100 °C