



## Technical data

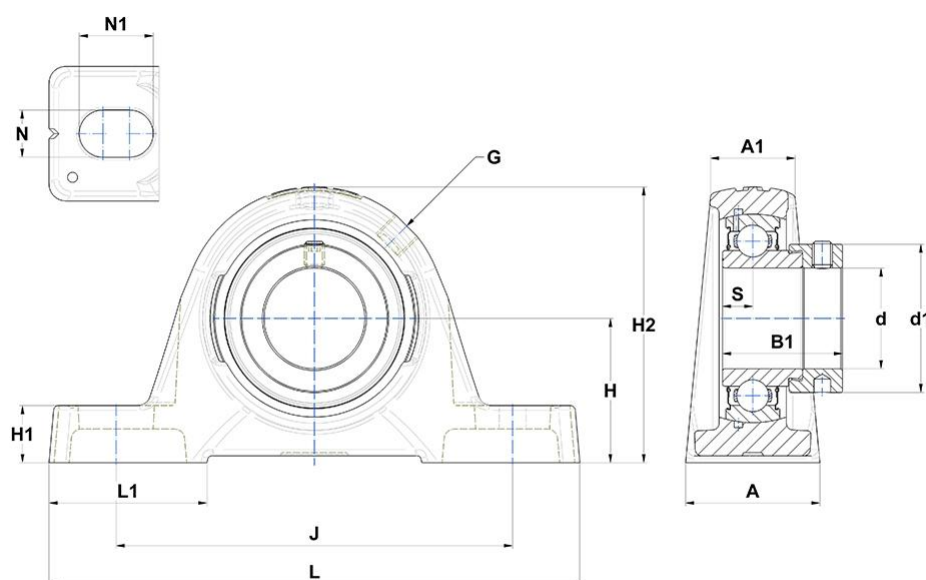
**ESPE210**  
Bearing units

Grey cast housing, radial insert ball bearing with eccentric locking collar, single lip seal

### KIT CONTENT

ES210G2, PE210

### VISUAL (S)



### OTHER FEATURES

<b>Mass</b>	2,6 kg
<b>Recommended tightening torque for set screw [Nm]</b>	11.5 N-m

### PRODUCT DIMENSIONS

<b>Housing width (A)</b>	54 mm
<b>Housing top width (A1)</b>	34 mm
<b>Width of IR (B)</b>	30,2 mm

### PRODUCT DIMENSIONS

<b>Shaft dia (d)</b>	50 mm
<b>Outer dia of eccent. Lock. collar / nut of adapter sleeve (d1)</b>	67,2 mm
<b>Grease fitting (G)</b>	R1/8"
<b>Distance mounting base to centerline spheric. seating diam. (H)</b>	57,2 mm
<b>Housing foot height (H1)</b>	21,5 mm
<b>Housing height (H2)</b>	115 mm
<b>Mounting hole distance (J)</b>	158 mm
<b>Housing length (L)</b>	200 mm
<b>Housing foot length (L1)</b>	61 mm
<b>Mounting hole dimension (N)</b>	18 mm
<b>Mounting hole length (N1)</b>	23 mm
<b>Dist. cent. of raceway to face IR on side opp. lock. device (S)</b>	11 mm
<b>Brand</b>	SNR

### PRODUCT PERFORMANCE

<b>Dynamic load rating (C)</b>	35,1 kN
<b>Static load rating (C0)</b>	23,2 kN
<b>Operating temperature min.</b>	-20 °C
<b>Operating temperature max.</b>	100 °C