



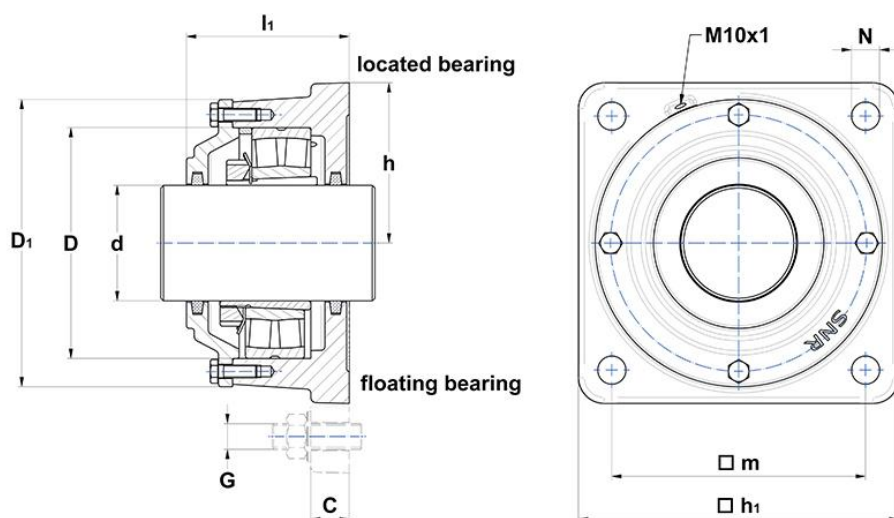
Technical data

722520 B

Flanged housings 722500

Flanged housing for bearings on adapter sleeve, made of grey cast, for grease lubrication

VISUAL (S)



PRODUCT DIMENSIONS

Shaft diameter (d)	90 mm
outer diameter cover (D1)	224 mm
Housing length (a)	250 mm
Housing foot height (c)	30 mm
Bearing center height (h)	125 mm
Housing width over covers (l1)	127 mm
Mounting hole (or punches) distance (length) (m)	198 mm
Mounting hole diameter (N)	22 mm

PRODUCT DIMENSIONS

Bearing seat diameter (D)	180 mm
Mass	18 kg
New Material of Housing	grey cast
Brand	SNR

BOLTS

Fixing bolts (G)	M20
Recommended torque fixing bolts	290.0 N-m
Cover bolts	M10x30
Recommended torque cover bolts	35.0 N-m

ASSOCIATED COMPONENTS - OPTION 1

Bearing	1220 K C3
Adapter sleeve	H220
Fixing ring (1x)	FR180x10x5+180x12x5

ASSOCIATED COMPONENTS - OPTION 2

Bearing	2220 K C3
Adapter sleeve	H320
Fixing ring (1x)	FR180x10x5

ASSOCIATED COMPONENTS - OPTION 3

Bearing	22220 K
Adapter sleeve	H320
Fixing ring (1x)	FR180x10x5

ASSOCIATED COMPONENTS - GENERAL

feltstrip	FS 10 x 8,5 x 350
------------------	-------------------

722520 B

Flanged housings 722500