



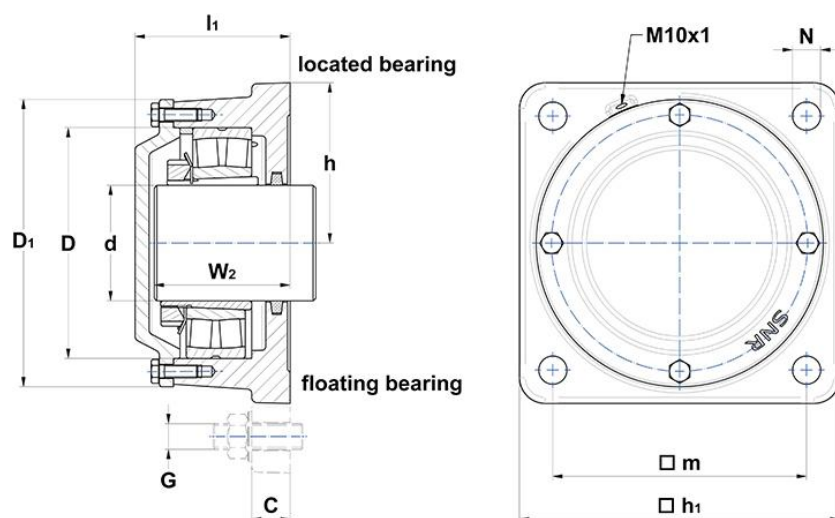
## Technical data

### 722520 A

Flanged housings 722500

Flanged housing for bearings on adapter sleeve, made of grey cast, for grease lubrication

### VISUAL (S)



### PRODUCT DIMENSIONS

Shaft diameter (d)	90 mm
outer diameter cover (D1)	224 mm
Housing length (a)	250 mm
Housing foot height (c)	30 mm
Bearing center height (h)	125 mm
Housing width over covers (l1)	127 mm
Mounting hole (or punches) distance (length) (m)	198 mm
Mounting hole diameter (N)	22 mm

### PRODUCT DIMENSIONS

<b>Bearing seat diameter (D)</b>	180 mm
<b>base to shaft end distance (W2)</b>	107 mm
<b>Mass</b>	18 kg
<b>New Material of Housing</b>	grey cast
<b>Brand</b>	SNR

### BOLTS

<b>Fixing bolts (G)</b>	M20
<b>Recommended torque fixing bolts</b>	290.0 N-m
<b>Cover bolts</b>	M10x30
<b>Recommended torque cover bolts</b>	35.0 N-m

### ASSOCIATED COMPONENTS - OPTION 1

<b>Bearing</b>	1220 K C3
<b>Adapter sleeve</b>	H220
<b>Fixing ring (1x)</b>	FR180x10x5+180x12x5

### ASSOCIATED COMPONENTS - OPTION 2

<b>Bearing</b>	2220 K C3
<b>Adapter sleeve</b>	H320
<b>Fixing ring (1x)</b>	FR180x10x5

### ASSOCIATED COMPONENTS - OPTION 3

<b>Bearing</b>	22220 K
<b>Adapter sleeve</b>	H320
<b>Fixing ring (1x)</b>	FR180x10x5

**ASSOCIATED COMPONENTS - GENERAL**

**feltstrip**

FS 10 x 8,5 x 350