



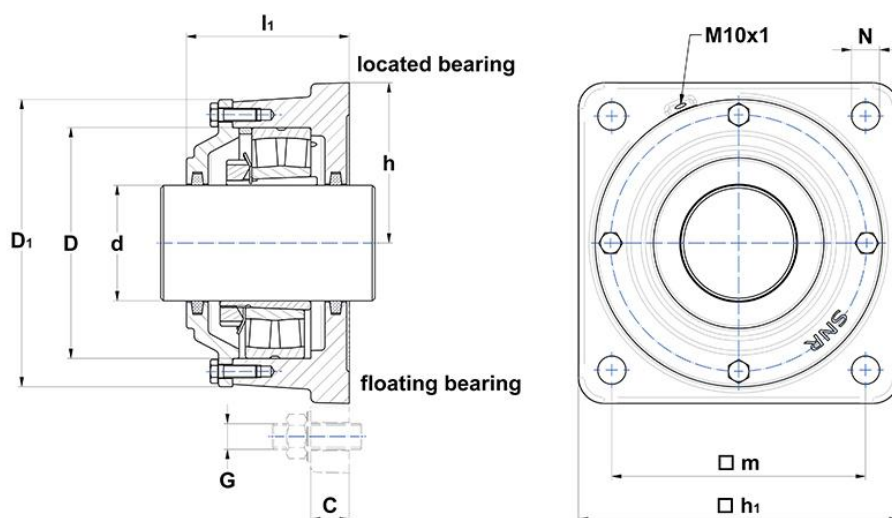
Technical data

722518 B

Flanged housings 722500

Flanged housing for bearings on adapter sleeve, made of grey cast, for grease lubrication

VISUAL (S)



PRODUCT DIMENSIONS

Shaft diameter (d)	80 mm
outer diameter cover (D1)	198 mm
Housing length (a)	210 mm
Housing foot height (c)	25 mm
Bearing center height (h)	105 mm
Housing width over covers (l1)	118 mm
Mounting hole (or punches) distance (length) (m)	170 mm
Mounting hole diameter (N)	18 mm

PRODUCT DIMENSIONS

Bearing seat diameter (D)	160 mm
Mass	12,5 kg
New Material of Housing	grey cast
Brand	SNR

BOLTS

Fixing bolts (G)	M16
Recommended torque fixing bolts	150.0 N-m
Cover bolts	M8x25
Recommended torque cover bolts	17.0 N-m

ASSOCIATED COMPONENTS - OPTION 1

Bearing	1218 K C3
Adapter sleeve	H218
Fixing ring (2x)	FR160x10x5

ASSOCIATED COMPONENTS - OPTION 2

Bearing	2218 K C3
Adapter sleeve	H318
Fixing ring (1x)	FR160x10x5

ASSOCIATED COMPONENTS - OPTION 3

Bearing	22218 K
Adapter sleeve	H318
Fixing ring (1x)	FR160x10x5

ASSOCIATED COMPONENTS - GENERAL

feltstrip	FS 9 x 7,5 x 315
------------------	------------------

722518 B

Flanged housings 722500