



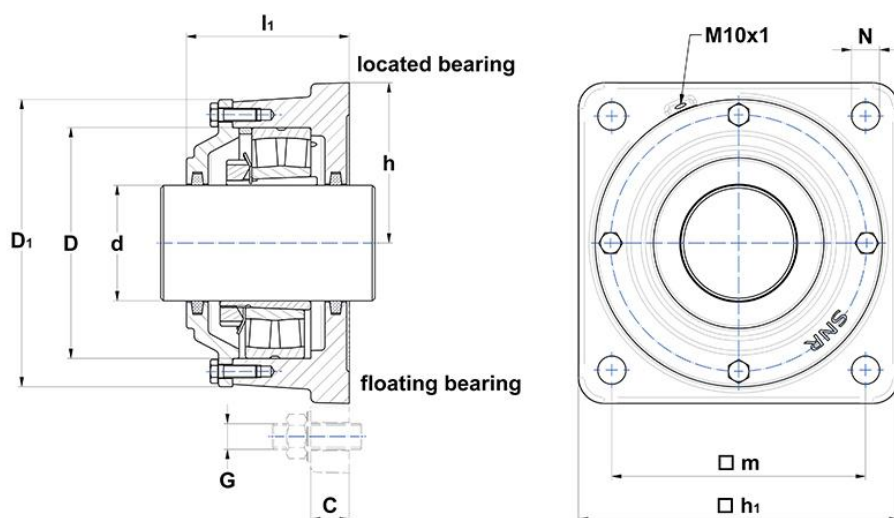
Technical data

722516 B

Flanged housings 722500

Flanged housing for bearings on adapter sleeve, made of grey cast, for grease lubrication

VISUAL (S)



PRODUCT DIMENSIONS

Shaft diameter (d)	70 mm
outer diameter cover (D1)	176 mm
Housing length (a)	196 mm
Housing foot height (c)	25 mm
Bearing center height (h)	98 mm
Housing width over covers (l1)	110 mm
Mounting hole (or punches) distance (length) (m)	152 mm
Mounting hole diameter (N)	18 mm

PRODUCT DIMENSIONS

Bearing seat diameter (D)	140 mm
Mass	9,8 kg
New Material of Housing	grey cast
Brand	SNR

BOLTS

Fixing bolts (G)	M16
Recommended torque fixing bolts	150.0 N-m
Cover bolts	M8x25
Recommended torque cover bolts	17.0 N-m

ASSOCIATED COMPONENTS - OPTION 1

Bearing	1216 K C3
Adapter sleeve	H216
Fixing ring (2x)	FR140x8,5x4

ASSOCIATED COMPONENTS - OPTION 2

Bearing	2216 K C3
Adapter sleeve	H316
Fixing ring (1x)	FR140x10x4

ASSOCIATED COMPONENTS - OPTION 3

Bearing	22216 K
Adapter sleeve	H316
Fixing ring (1x)	FR140x10x4

ASSOCIATED COMPONENTS - GENERAL

feltstrip	FS 9 x 7,5 x 280
------------------	------------------

722516 B

Flanged housings 722500