



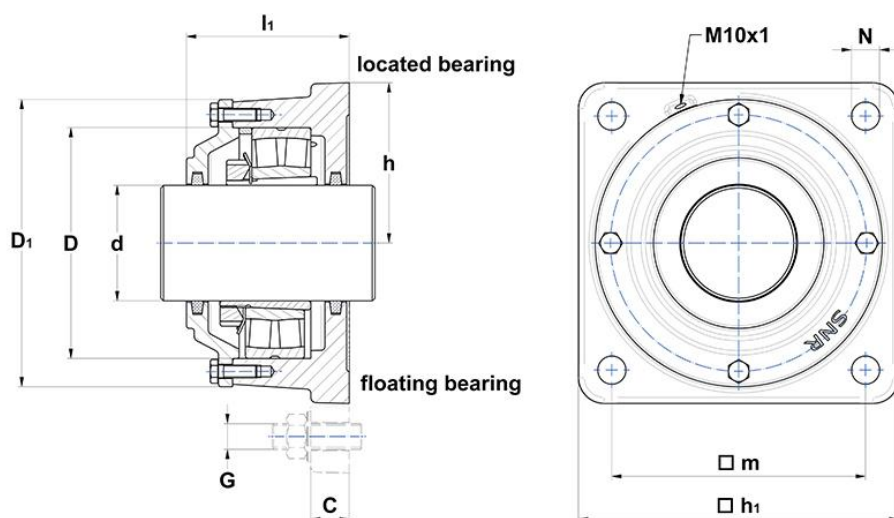
Technical data

722515 B

Flanged housings 722500

Flanged housing for bearings on adapter sleeve, made of grey cast, for grease lubrication

VISUAL (S)



PRODUCT DIMENSIONS

Shaft diameter (d)	65 mm
outer diameter cover (D1)	168 mm
Housing length (a)	190 mm
Housing foot height (c)	25 mm
Bearing center height (h)	95 mm
Housing width over covers (l1)	104 mm
Mounting hole (or punches) distance (length) (m)	152 mm
Mounting hole diameter (N)	17,5 mm

PRODUCT DIMENSIONS

Bearing seat diameter (D)	130 mm
Mass	9,4 kg
New Material of Housing	grey cast
Brand	SNR

BOLTS

Fixing bolts (G)	M16
Recommended torque fixing bolts	150.0 N-m
Cover bolts	M8x25
Recommended torque cover bolts	17.0 N-m

ASSOCIATED COMPONENTS - OPTION 1

Bearing	1215 K C3
Adapter sleeve	H215
Fixing ring (2x)	FR130x8x4

ASSOCIATED COMPONENTS - OPTION 2

Bearing	2215 K C3
Adapter sleeve	H315
Fixing ring (1x)	FR130x10x4

ASSOCIATED COMPONENTS - OPTION 3

Bearing	22215 K
Adapter sleeve	H315
Fixing ring (1x)	FR130x10x4

ASSOCIATED COMPONENTS - GENERAL

feltstrip	FS 8 x 6,5 x 260
------------------	------------------

722515 B

Flanged housings 722500