



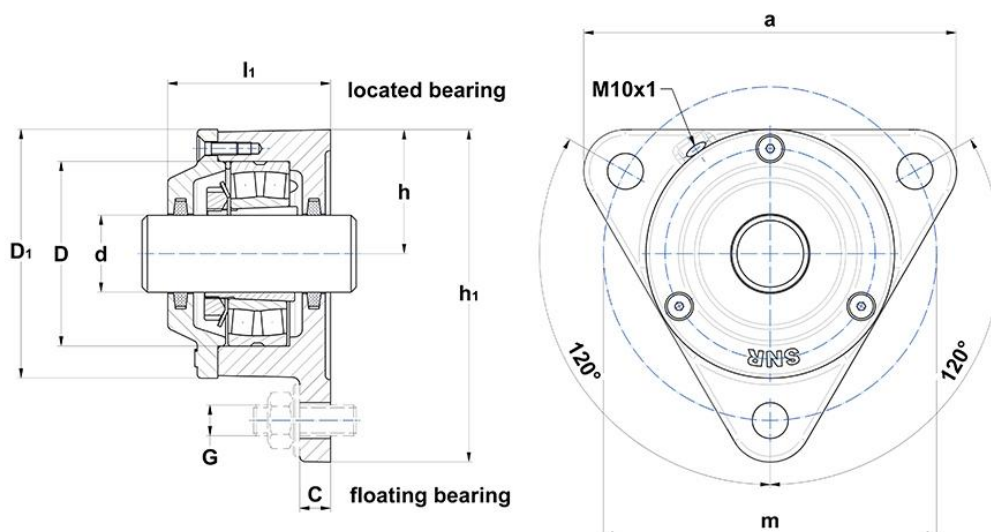
## Technical data

### 722513 DB

Flanged housings 722500

Flanged housing for bearings on adapter sleeve, made of grey cast, for grease lubrication

#### VISUAL (S)



#### PRODUCT DIMENSIONS

|  |        |
|--|--------|
| Shaft diameter (d)                               | 60 mm  |
| outer diameter cover (D1)                        | 152 mm |
| Housing length (a)                               | 225 mm |
| Housing foot height (c)                          | 15 mm  |
| Bearing center height (h)                        | 78 mm  |
| Housing height (h1)                              | 203 mm |
| Housing width over covers (l1)                   | 86 mm  |
| Mounting hole (or punches) distance (length) (m) | 190 mm |

### PRODUCT DIMENSIONS

|                                   |           |
|-----------------------------------|-----------|
| <b>Mounting hole diameter (N)</b> | 14 mm     |
| <b>Bearing seat diameter (D)</b>  | 120 mm    |
| <b>Mass</b>                       | 5,9 kg    |
| <b>New Material of Housing</b>    | grey cast |
| <b>Brand</b>                      | SNR       |

### BOLTS

|  |          |
|--|----------|
| <b>Fixing bolts (G)</b>                | M12      |
| <b>Recommended torque fixing bolts</b> | 65.0 N-m |
| <b>Cover bolts</b>                     | M6x20    |
| <b>Recommended torque cover bolts</b>  | 7.0 N-m  |

### ASSOCIATED COMPONENTS - OPTION 1

|                         |            |
|-------------------------|------------|
| <b>Bearing</b>          | 1213 K C3  |
| <b>Adapter sleeve</b>   | H213       |
| <b>Fixing ring (1x)</b> | FR120x10x4 |

### ASSOCIATED COMPONENTS - OPTION 2

|                         |             |
|-------------------------|-------------|
| <b>Bearing</b>          | 2213 K C3   |
| <b>Adapter sleeve</b>   | H313        |
| <b>Fixing ring (1x)</b> | FE120x100x2 |

### ASSOCIATED COMPONENTS - OPTION 3

|                         |             |
|-------------------------|-------------|
| <b>Bearing</b>          | 22213 K     |
| <b>Adapter sleeve</b>   | H313        |
| <b>Fixing ring (1x)</b> | FE120x100x2 |

**ASSOCIATED COMPONENTS - GENERAL**

**feltstrip**

FS 8 x 6,5 x 240