



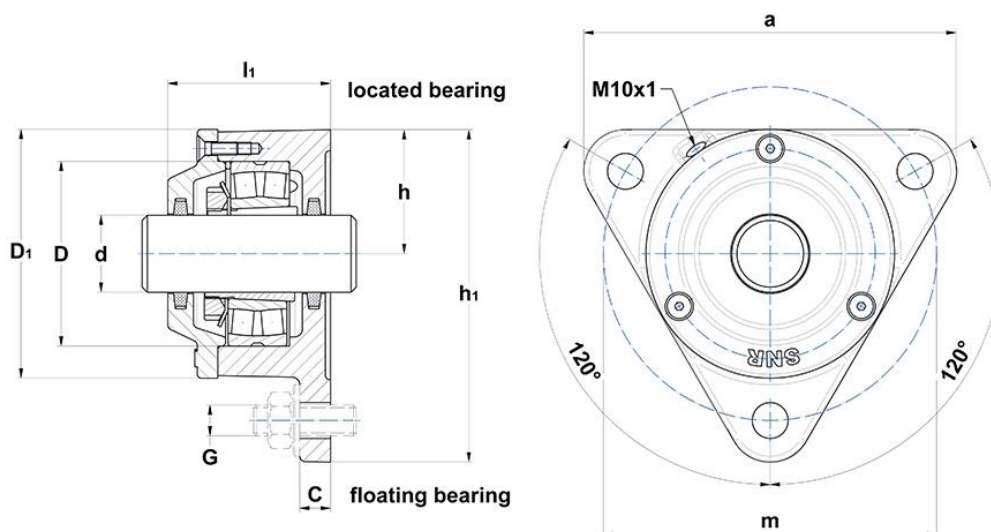
Technical data

722510 DB

Flanged housings 722500

Flanged housing for bearings on adapter sleeve, made of grey cast, for grease lubrication

VISUAL (S)



PRODUCT DIMENSIONS

Shaft diameter (d)	45 mm
outer diameter cover (D1)	118 mm
Housing length (a)	180 mm
Housing foot height (c)	12 mm
Bearing center height (h)	60 mm
Housing height (h1)	160 mm
Housing width over covers (l1)	73 mm
Mounting hole (or punches) distance (length) (m)	160 mm

PRODUCT DIMENSIONS

Mounting hole diameter (N)	14 mm
Bearing seat diameter (D)	90 mm
Mass	3 kg
New Material of Housing	grey cast
Brand	SNR

BOLTS

Fixing bolts (G)	M12
Recommended torque fixing bolts	65.0 N-m
Cover bolts	M6x20
Recommended torque cover bolts	7.0 N-m

ASSOCIATED COMPONENTS - OPTION 1

Bearing	1210 K C3
Adapter sleeve	H210
Fixing ring (1x)	FR90x5x3

ASSOCIATED COMPONENTS - OPTION 2

Bearing	2210 K C3
Adapter sleeve	H310
Fixing ring (1x)	FE90x80x2

ASSOCIATED COMPONENTS - OPTION 3

Bearing	22210 K
Adapter sleeve	H310
Fixing ring (1x)	FE90x80x2

ASSOCIATED COMPONENTS - GENERAL

feltstrip

FS 6 x 5 x 180