



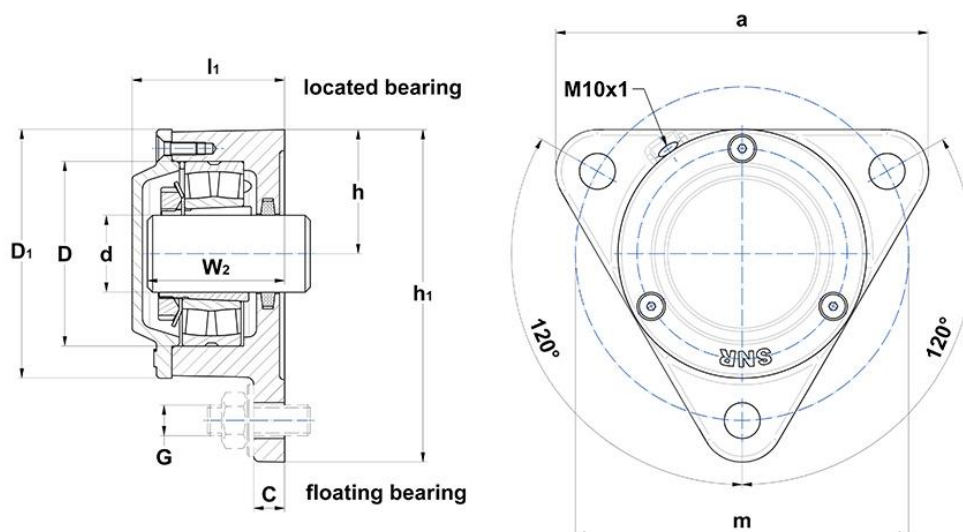
## Technical data

### 722510 DA

Flanged housings 722500

Flanged housing for bearings on adapter sleeve, made of grey cast, for grease lubrication

#### VISUAL (S)



#### PRODUCT DIMENSIONS

|  |         |
|--|---------|
| Shaft diameter (d)                               | 45 mm   |
| outer diameter cover (D1)                        | 118 mm  |
| Housing length (a)                               | 180 mm  |
| Housing foot height (c)                          | 12 mm   |
| Bearing center height (h)                        | 60 mm   |
| Housing height (h1)                              | 160 mm  |
| Housing width over covers (l1)                   | 68,5 mm |
| Mounting hole (or punches) distance (length) (m) | 160 mm  |

### PRODUCT DIMENSIONS

|  |           |
|--|-----------|
| <b>Mounting hole diameter (N)</b>      | 14 mm     |
| <b>Bearing seat diameter (D)</b>       | 90 mm     |
| <b>base to shaft end distance (W2)</b> | 60 mm     |
| <b>Mass</b>                            | 3 kg      |
| <b>New Material of Housing</b>         | grey cast |
| <b>Brand</b>                           | SNR       |

### BOLTS

|  |          |
|--|----------|
| <b>Fixing bolts (G)</b>                | M12      |
| <b>Recommended torque fixing bolts</b> | 65.0 N-m |
| <b>Cover bolts</b>                     | M6x20    |
| <b>Recommended torque cover bolts</b>  | 7.0 N-m  |

### ASSOCIATED COMPONENTS - OPTION 1

|                         |           |
|-------------------------|-----------|
| <b>Bearing</b>          | 1210 K C3 |
| <b>Adapter sleeve</b>   | H210      |
| <b>Fixing ring (1x)</b> | FR90x5x3  |

### ASSOCIATED COMPONENTS - OPTION 2

|                         |           |
|-------------------------|-----------|
| <b>Bearing</b>          | 2210 K C3 |
| <b>Adapter sleeve</b>   | H310      |
| <b>Fixing ring (1x)</b> | FE90x80x2 |

### ASSOCIATED COMPONENTS - OPTION 3

|                         |           |
|-------------------------|-----------|
| <b>Bearing</b>          | 22210 K   |
| <b>Adapter sleeve</b>   | H310      |
| <b>Fixing ring (1x)</b> | FE90x80x2 |

**ASSOCIATED COMPONENTS - GENERAL**

**feltstrip**

FS 6 x 5 x 180