



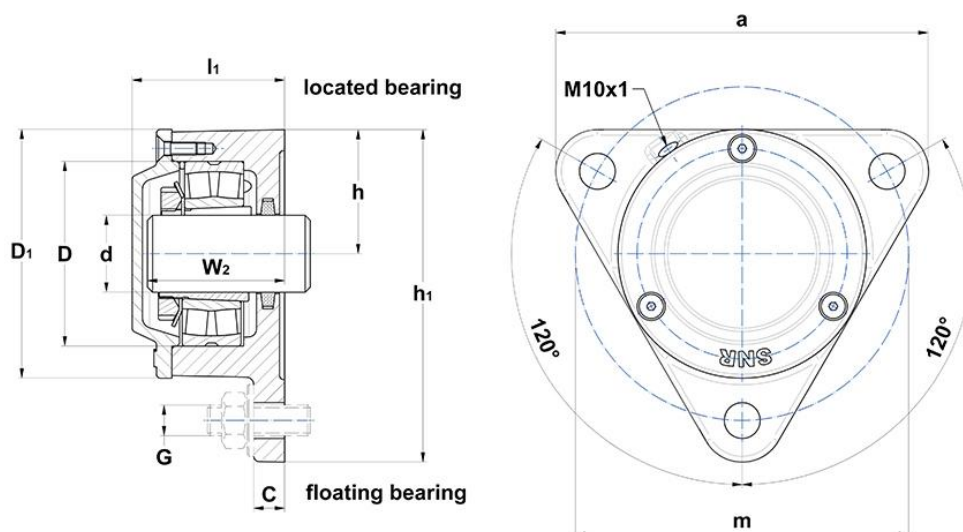
Technical data

722506 DA

Flanged housings 722500

Flanged housing for bearings on adapter sleeve, made of grey cast, for grease lubrication

VISUAL (S)



PRODUCT DIMENSIONS

Shaft diameter (d)	25 mm
outer diameter cover (D1)	86 mm
Housing length (a)	130 mm
Housing foot height (c)	12 mm
Bearing center height (h)	44 mm
Housing height (h1)	117 mm
Housing width over covers (l1)	57 mm
Mounting hole (or punches) distance (length) (m)	116 mm

PRODUCT DIMENSIONS

Mounting hole diameter (N)	12 mm
Bearing seat diameter (D)	62 mm
base to shaft end distance (W2)	47 mm
Mass	1,5 kg
New Material of Housing	grey cast
Brand	SNR

BOLTS

Fixing bolts (G)	M10
Recommended torque fixing bolts	35.0 N-m
Cover bolts	M5x16
Recommended torque cover bolts	4.0 N-m

ASSOCIATED COMPONENTS - OPTION 2

Bearing	2206 K C3
Adapter sleeve	H306
Fixing ring (1x)	FE62x50x2

ASSOCIATED COMPONENTS - OPTION 3

Bearing	22206 K
Adapter sleeve	H306
Fixing ring (1x)	FE62x50x2

ASSOCIATED COMPONENTS - GENERAL

feltstrip	FS 6 x 5 x 118
------------------	----------------

ASSOCIATED COMPONENTS - OPTION 1

Bearing	1206 K C3
----------------	-----------

ASSOCIATED COMPONENTS - OPTION 1

Adapter sleeve	H206
Fixing ring (1x)	FR62x6x3