

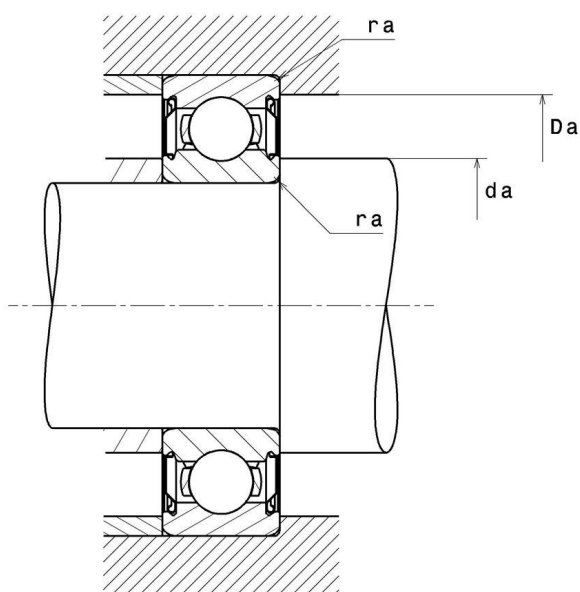
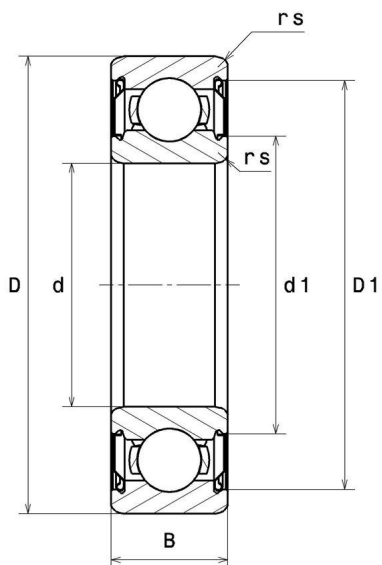
## Technical data

### 6313ZZC4

Single row deep groove ball bearings

Deep groove ball bearing, radial contact, pressed steel cage, shields on both sides

#### VISUAL (S)



# 6313ZZC4

Single row deep groove ball bearings

## PRODUCT DIMENSIONS

Internal diameter d	65 mm
External diameter D	140 mm
Bearing/Inner ring width(B)	33 mm
External diameter inner ring d1	82,2 mm
Inner diameter outer ring D1	123,7 mm
Min fillet radius rs	2,1 mm
Radial clearance class	C4
Mass	2,08 kg
Brand	SNR

## PRODUCT PERFORMANCE

Dynamic load, C	92,4 kN
Static load, C0	59,8 kN
Fatigue limit load, Cu	2,7 kN
Coefficient f0	13.2
Reference thermal speed (Nref)	6400 tr/min
Mechanical Limit Speed Nlim	6500 tr/min
Min operating temperature, Tmin	-30 °C
Max operating temperature, Tmax	120 °C
Characteristic cage frequency, FTF	0.384 Hz
Characteristic rolling element frequency, BSF	4.072 Hz
Characteristic outer ring frequency, BPF0	3.071 Hz
Characteristic inner ring frequency, BRF0	4.929 Hz

## ABUTMENT

Min shoulder diameter IR da min	76 mm
Max shoulder diameter IR da max	82,2 mm
Max shoulder diameter OR Da max	129 mm
Max shaft & housing fillet radius ra max	2 mm

### INDUSTRY CALCUL FACTORS

#### Equivalent dynamic radial load

$$P = X.F_r + Y.F_a$$

$\frac{f_0 F_a}{C_0}$	e	Fa / Fr ≤ e		Fa / Fr > e	
		X	Y	X	Y
0.172	0.19	1	0	0.56	2.3
0.345	0.22				1.99
0.689	0.26				1.71
1.03	0.28				1.55
1.38	0.3				1.45
2.07	0.34				1.31
3.45	0.38				1.15
5.17	0.42				1.04
6.89	0.44				1

#### Equivalent static radial load

$$P_0 = X_0.F_r + Y_0.F_a$$

$X_0$	$Y_0$
0.6	0.5

For single or DT bearing arrangement:

If  $P_0 < F_r$ , then use  $P_0 = F_r$