

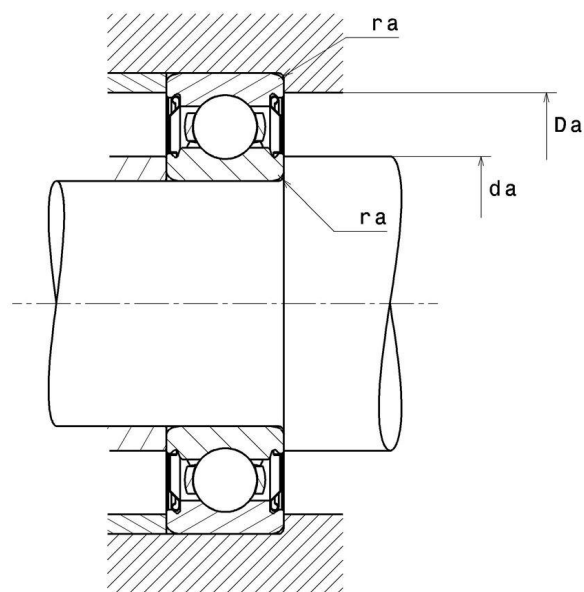
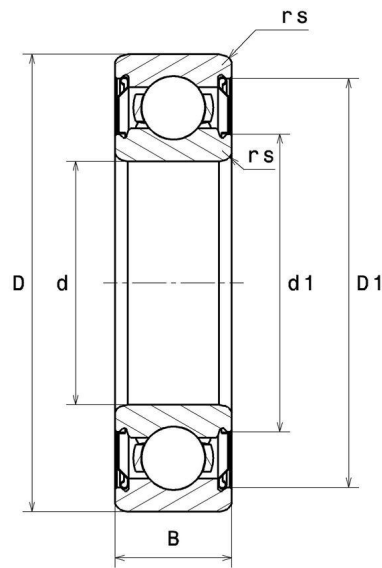
Technical data

6308ZZC4

Single row deep groove ball bearings

Deep groove ball bearing, radial contact, pressed steel cage, shields on both sides

VISUAL (S)



6308ZZC4

Single row deep groove ball bearings

PRODUCT DIMENSIONS

Internal diameter d	40 mm
External diameter D	90 mm
Bearing/Inner ring width(B)	23 mm
External diameter inner ring d1	51,9 mm
Inner diameter outer ring D1	78,1 mm
Min fillet radius rs	1,5 mm
Radial clearance class	C4
Mass	0,612 kg
Brand	SNR

PRODUCT PERFORMANCE

Dynamic load, C	40,3 kN
Static load, C0	24 kN
Fatigue limit load, Cu	1,09 kN
Coefficient f0	13.2
Reference thermal speed (Nref)	9000 tr/min
Mechanical Limit Speed Nlim	10000 tr/min
Min operating temperature, Tmin	-30 °C
Max operating temperature, Tmax	120 °C
Characteristic cage frequency, FTF	0.384 Hz
Characteristic rolling element frequency, BSF	4.078 Hz
Characteristic outer ring frequency, BPF0	3.072 Hz
Characteristic inner ring frequency, BRF0	4.928 Hz

ABUTMENT

Min shoulder diameter IR da min	48 mm
Max shoulder diameter IR da max	51,9 mm
Max shoulder diameter OR Da max	82 mm
Max shaft & housing fillet radius ra max	1,5 mm

INDUSTRY CALCUL FACTORS

Equivalent dynamic radial load

$$P = X.F_r + Y.F_a$$

$\frac{f_0 F_a}{C_0}$	e	Fa / Fr ≤ e		Fa / Fr > e	
		X	Y	X	Y
0.172	0.19	1	0	0.56	2.3
0.345	0.22				1.99
0.689	0.26				1.71
1.03	0.28				1.55
1.38	0.3				1.45
2.07	0.34				1.31
3.45	0.38				1.15
5.17	0.42				1.04
6.89	0.44				1

Equivalent static radial load

$$P_0 = X_0.F_r + Y_0.F_a$$

X_0	Y_0
0.6	0.5

For single or DT bearing arrangement:

If $P_0 < F_r$, then use $P_0 = F_r$