

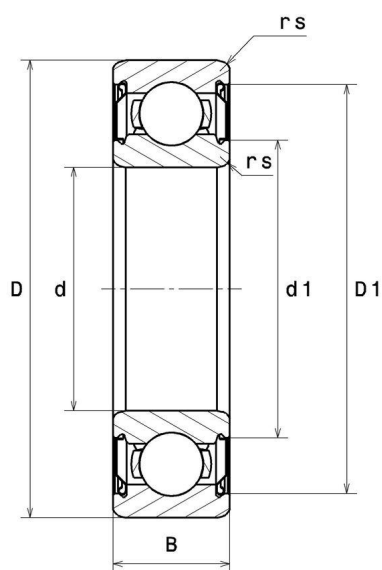
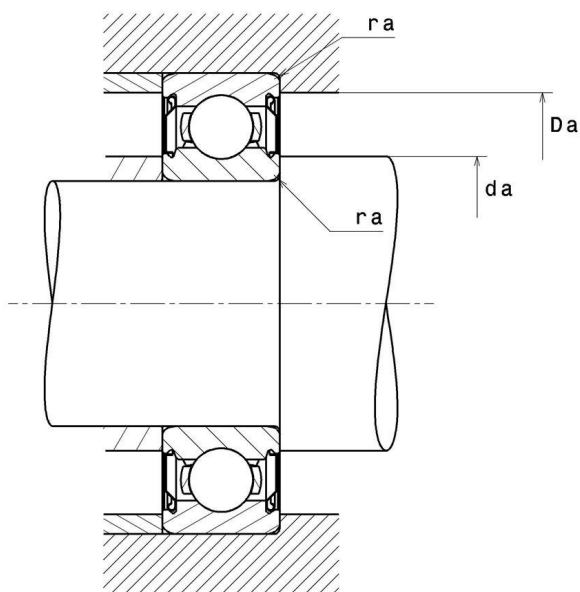
Technical data

6206ZZC3

Single row deep groove ball bearings

Deep groove ball bearing, radial contact, pressed steel cage, shields on both sides

VISUAL (S)



6206ZZC3

Single row deep groove ball bearings

PRODUCT DIMENSIONS

d	30 mm
D	62 mm
Bearing/Inner ring width(B)	16 mm
d1	38,8 mm
D1	54,4 mm
rs min	1 mm
Radial clearance class	C3
Mass	0,199 kg
Brand	SNR

PRODUCT PERFORMANCE

Dynamic load, C	19,2 kN
Static load, C0	11,3 kN
Fatigue limit load, Cu	0,51 kN
f0	13.8
Nref	12000 tr/min
Nlim	14000 tr/min
Min operating temperature, Tmin	-30 °C
Max operating temperature, Tmax	120 °C
Characteristic cage frequency, FTF	0.398 Hz
Characteristic rolling element frequency, BSF	4.677 Hz
Characteristic outer ring frequency, BPF0	3.578 Hz
Characteristic inner ring frequency, BPFI	5.422 Hz

ABUTMENT

da min	35 mm
da max	38,8 mm
Da max	57 mm
ra max	1 mm

INDUSTRY CALCUL FACTORS

Equivalent dynamic radial load

$$P = X.F_r + Y.F_a$$

$\frac{f_0 F_a}{C_0}$	e	Fa / Fr ≤ e		Fa / Fr > e	
		X	Y	X	Y
0.172	0.19	1	0	0.56	2.3
0.345	0.22				1.99
0.689	0.26				1.71
1.03	0.28				1.55
1.38	0.3				1.45
2.07	0.34				1.31
3.45	0.38				1.15
5.17	0.42				1.04
6.89	0.44				1

Equivalent static radial load

$$P_0 = X_0.F_r + Y_0.F_a$$

X_0	Y_0
0.6	0.5

For single or DT bearing arrangement:

If $P_0 < F_r$, then use $P_0 = F_r$