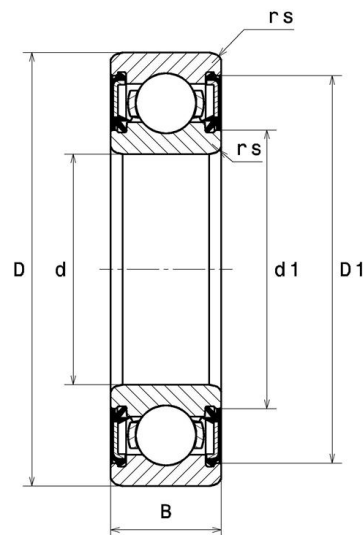
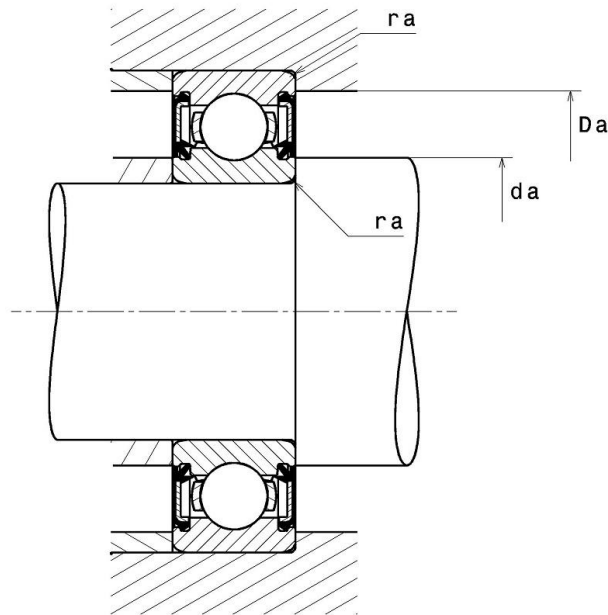


Technical data

6006EE

Single row deep groove ball bearings

VISUAL (S)



6006EE

Single row deep groove ball bearings

PRODUCT DIMENSIONS

Internal diameter d	30 mm
External diameter D	55 mm
Bearing/Inner ring width(B)	13 mm
External diameter inner ring d1	36,4 mm
Inner diameter outer ring D1	49,9 mm
Min fillet radius rs	1 mm
Radial clearance class	CN
Mass	0,116 kg
Brand	SNR

PRODUCT PERFORMANCE

Dynamic load, C	13 kN
Static load, C0	8,3 kN
Fatigue limit load, Cu	0,38 kN
Coefficient f0	14.8
Mechanical Limit Speed Nlim	8000 tr/min
Min operating temperature, Tmin	-30 °C
Max operating temperature, Tmax	120 °C
Characteristic cage frequency, FTF	0.417 Hz
Characteristic rolling element frequency, BSF	5.853 Hz
Characteristic outer ring frequency, BPF0	4.586 Hz
Characteristic inner ring frequency, BPFI	6.414 Hz

ABUTMENT

Min shoulder diameter IR da min	35 mm
Max shoulder diameter IR da max	36,4 mm
Max shoulder diameter OR Da max	50 mm
Max shaft & housing fillet radius ra max	1 mm

INDUSTRY CALCUL FACTORS

Equivalent dynamic radial load

$$P = X.F_r + Y.F_a$$

$\frac{f_0 F_a}{C_0}$	e	Fa / Fr ≤ e		Fa / Fr > e	
		X	Y	X	Y
0.172	0.19	1	0	0.56	2.3
0.345	0.22				1.99
0.689	0.26				1.71
1.03	0.28				1.55
1.38	0.3				1.45
2.07	0.34				1.31
3.45	0.38				1.15
5.17	0.42				1.04
6.89	0.44				1

Equivalent static radial load

$$P_0 = X_0.F_r + Y_0.F_a$$

X_0	Y_0
0.6	0.5

For single or DT bearing arrangement:

If $P_0 < F_r$, then use $P_0 = F_r$