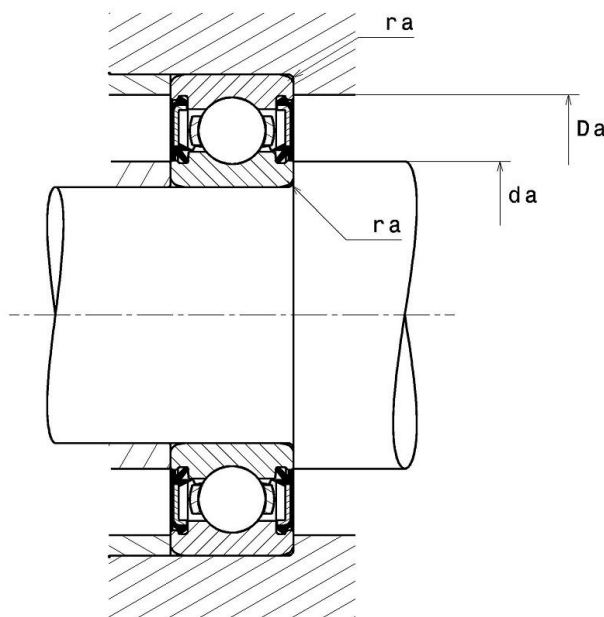
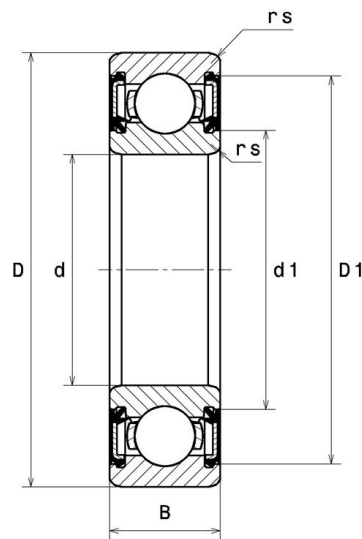


Technical data

6004EE

Single row deep groove ball bearings

VISUAL (S)



6004EE

Single row deep groove ball bearings

PRODUCT DIMENSIONS

Internal diameter d	20 mm
External diameter D	42 mm
Bearing/Inner ring width(B)	12 mm
External diameter inner ring d1	26,3 mm
Inner diameter outer ring D1	37,3 mm
Min fillet radius rs	0,6 mm
Radial clearance class	CN
Mass	0,068 kg
Brand	SNR

PRODUCT PERFORMANCE

Dynamic load, C	9,4 kN
Static load, C0	5,1 kN
Fatigue limit load, Cu	0,23 kN
Coefficient f0	13.9
Mechanical Limit Speed Nlim	11000 tr/min
Min operating temperature, Tmin	-30 °C
Max operating temperature, Tmax	120 °C
Characteristic cage frequency, FTF	0.399 Hz
Characteristic rolling element frequency, BSF	4.759 Hz
Characteristic outer ring frequency, BPF0	3.593 Hz
Characteristic inner ring frequency, BPFI	5.407 Hz

ABUTMENT

Min shoulder diameter IR da min	24 mm
Max shoulder diameter IR da max	26,3 mm
Max shoulder diameter OR Da max	38 mm
Max shaft & housing fillet radius ra max	0,6 mm

6004EE

Single row deep groove ball bearings

INDUSTRY CALCUL FACTORS

Equivalent dynamic radial load

$$P = X.F_r + Y.F_a$$

$\frac{f_0 F_a}{C_0}$	e	Fa / Fr ≤ e		Fa / Fr > e	
		X	Y	X	Y
0.172	0.19	1	0	0.56	2.3
0.345	0.22				1.99
0.689	0.26				1.71
1.03	0.28				1.55
1.38	0.3				1.45
2.07	0.34				1.31
3.45	0.38				1.15
5.17	0.42				1.04
6.89	0.44				1

Equivalent static radial load

$$P_0 = X_0.F_r + Y_0.F_a$$

X_0	Y_0
0.6	0.5

For single or DT bearing arrangement:

If $P_0 < F_r$, then use $P_0 = F_r$