



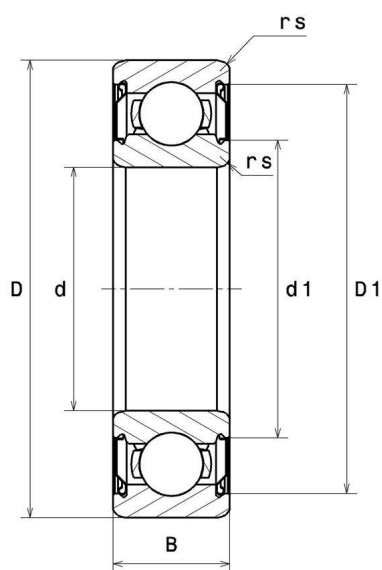
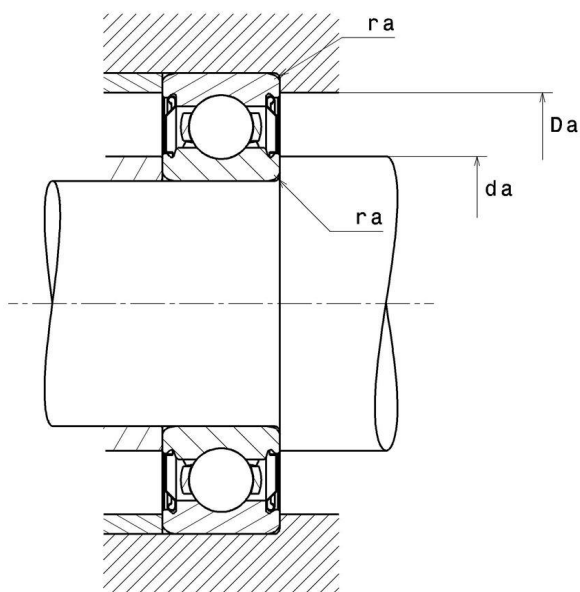
Technical data

6002ZZ

Single row deep groove ball bearings

Deep groove ball bearing, radial contact, pressed steel cage, shields on both sides

VISUAL (S)



6002ZZ

Single row deep groove ball bearings

PRODUCT DIMENSIONS

Internal diameter (d)	15 mm
External diameter (D)	32 mm
Bearing/Inner ring width (B)	9 mm
External diameter inner ring d1	19 mm
Inner diameter outer ring (D1)	28,1 mm
Min fillet radius (rs)	0,3 mm
Radial clearance class	CN
Mass	0,029 kg
Brand	SNR

PRODUCT PERFORMANCE

Dynamic load (C)	5,5 kN
Static load (C0)	2,85 kN
Fatigue limit load (Cu)	0,13 kN
Coefficient f0	13.9
Reference thermal speed (Nref)	22000 tr/min
Mechanical Limit Speed (Nlim)	31000 tr/min
Min operating temperature (Tmin)	-30 °C
Max operating temperature (Tmax)	120 °C

ABUTMENT

Min shoulder diameter IR (da min)	17 mm
Max shoulder diameter IR (da max)	19 mm
Max shoulder diameter OR (Da max)	30 mm
Max shaft & housing fillet radius (ra max)	0,3 mm

INDUSTRY CALCUL FACTORS

Equivalent dynamic radial load

$$P = X.F_r + Y.F_a$$

$\frac{f_0 F_a}{C_0}$	e	Fa / Fr ≤ e		Fa / Fr > e	
		X	Y	X	Y
0.172	0.19	1	0	0.56	2.3
0.345	0.22				1.99
0.689	0.26				1.71
1.03	0.28				1.55
1.38	0.3				1.45
2.07	0.34				1.31
3.45	0.38				1.15
5.17	0.42				1.04
6.89	0.44				1

Equivalent static radial load

$$P_0 = X_0.F_r + Y_0.F_a$$

X_0	Y_0
0.6	0.5

For single or DT bearing arrangement:

If $P_0 < F_r$, then use $P_0 = F_r$