

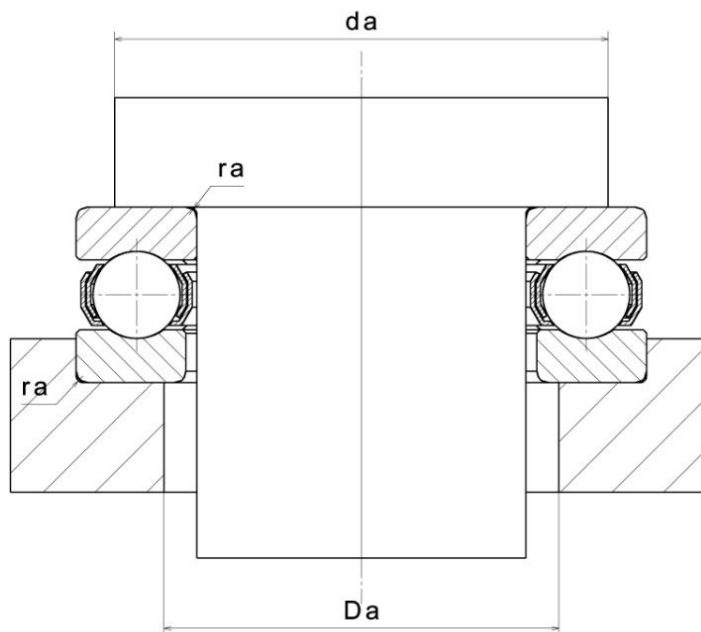
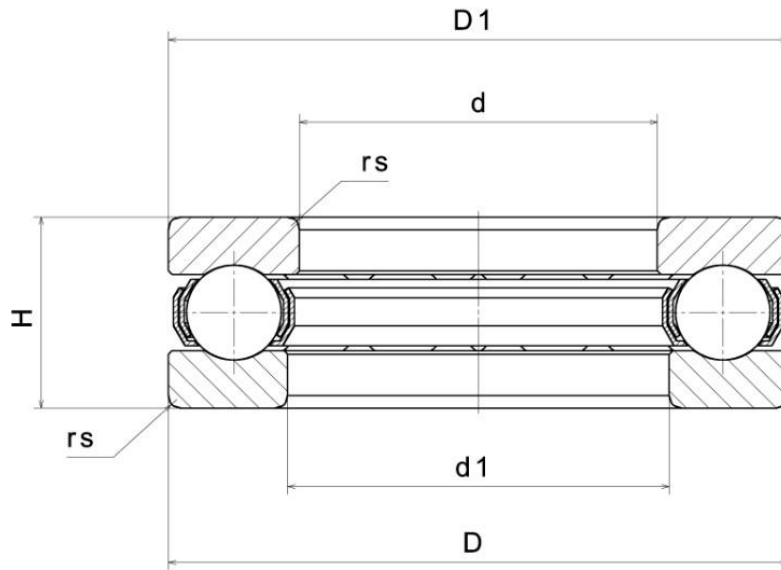


Technical data

51409

One direction thrust ball bearings

VISUAL (S)



PRODUCT DIMENSIONS

Internal diameter d	45 mm
External diameter D	100 mm
Inner diameter outer ring D1	47 mm
External diameter inner ring d1	100 mm
Thrust bearing height (T)	39 mm
Min fillet radius rs	1 mm
Mass	1,45 kg

PRODUCT PERFORMANCE

Dynamic axial load rating (Ca)	130 kN
Static axial load rating (C0a)	243 kN
Min operating temperature, Tmin	-40 °C
Max operating temperature, Tmax	120 °C
Characteristic cage frequency, FTF	0.5 Hz
Characteristic rolling element frequency, BSF	3.653 Hz
Characteristic outer ring frequency, BPF0	5.0 Hz
Characteristic inner ring frequency, BRF0	5.0 Hz

ABUTMENT

Max shaft & housing fillet radius ra max	1 mm
Max shoulder diameter OR Da max	67 mm
Min shoulder diameter IR da min	78 mm