

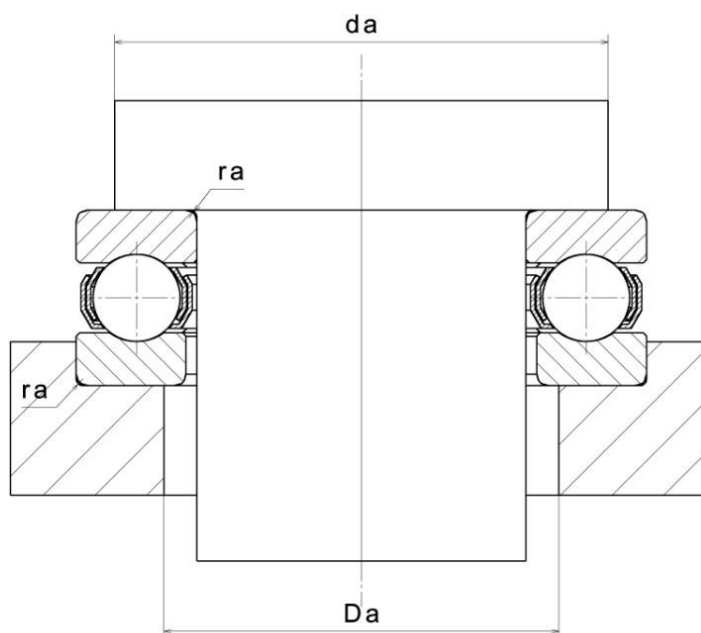
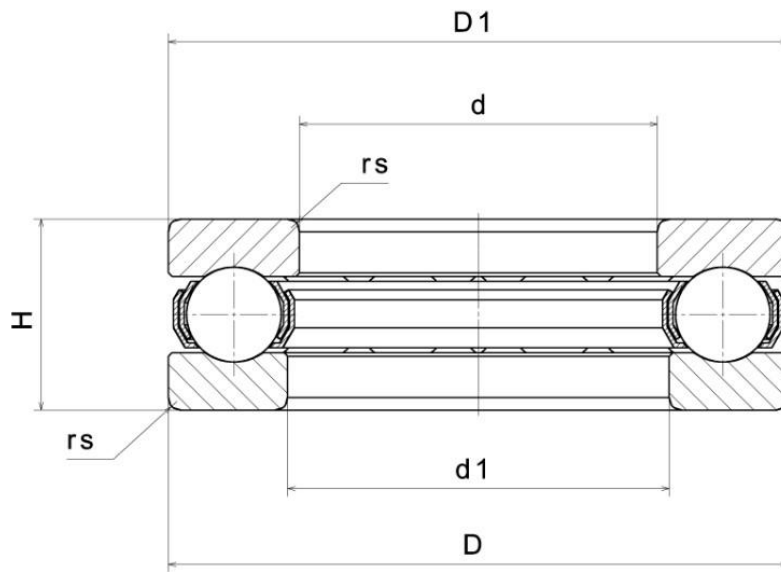


Technical data

51211

One direction thrust ball bearings

VISUAL (S)



PRODUCT DIMENSIONS

Internal diameter (d)	55 mm
External diameter (D)	90 mm
Inner diameter outer ring (D1)	57 mm
External diameter inner ring d1	90 mm
Thrust bearing height (T)	25 mm
Min fillet radius (rs)	1 mm
Mass	0,59 kg

PRODUCT PERFORMANCE

Dynamic axial load rating (Ca)	69,4 kN
Static axial load rating (C0a)	159 kN
Min operating temperature (Tmin)	-40 °C
Max operating temperature (Tmax)	120 °C

ABUTMENT

Max shaft & housing fillet radius (ra max)	1 mm
Max shoulder diameter OR (Da max)	69 mm
Min shoulder diameter IR (da min)	76 mm