

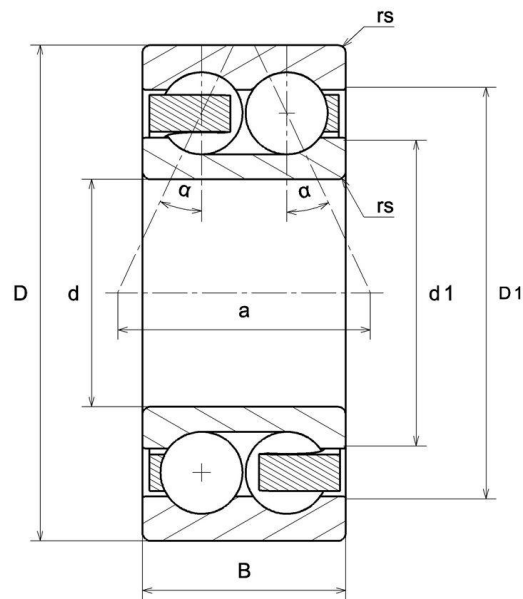
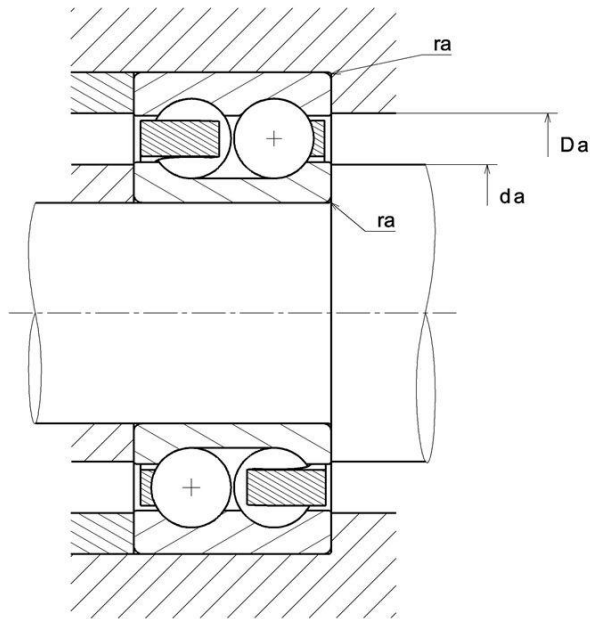
**Technical data**

**3311A**

Double row angular contact ball bearings

Double row angular contact ball bearing, polyamide cage, open

**VISUAL (S)**



# 3311A

## Double row angular contact ball bearings

### PRODUCT PERFORMANCE

Dynamic load, C	98,6 kN
Static load, C0	78,8 kN
Fatigue limit load, Cu	4,9 kN
Coefficient f0	13.8
Reference thermal speed (Nref)	5000 tr/min
Mechanical Limit Speed Nlim	5500 tr/min
Min operating temperature, Tmin	-20 °C
Max operating temperature, Tmax	120 °C
Characteristic cage frequency, FTF	0.397 Hz
Characteristic rolling element frequency, BSF	4.197 Hz
Characteristic outer ring frequency, BPF0	3.173 Hz
Characteristic inner ring frequency, BPG0	4.827 Hz

### ABUTMENT

Min shoulder diameter IR da min	64 mm
Max shoulder diameter OR Da max	111 mm
Max shaft & housing fillet radius ra max	2 mm

### PRODUCT DIMENSIONS

Internal diameter d	55 mm
External diameter D	120 mm
Bearing/Inner ring width(B)	49,2 mm
External diameter inner ring d1	75,2 mm
Inner diameter outer ring D1	98,4 mm
Charge load application point a	61,2 mm
Contact angle	25.0 °
Min fillet radius rs	2 mm
Radial clearance class	CN
Precision class	P0
Mass	2,11 kg
Brand	SNR