

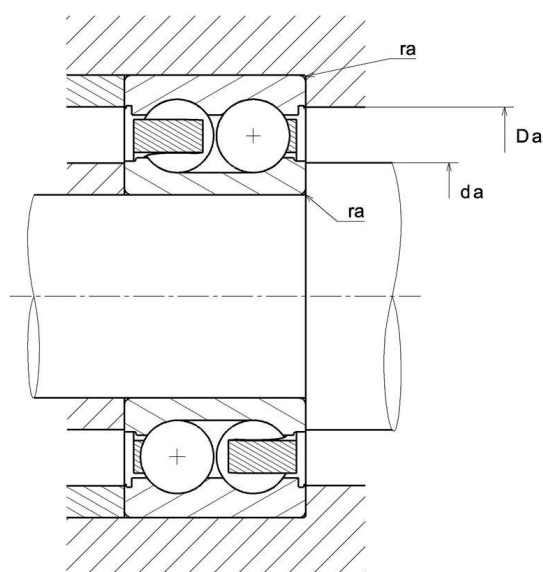
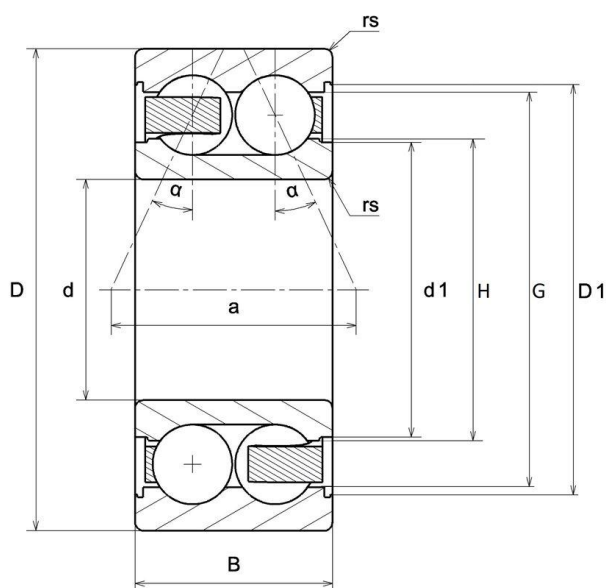
Technical data

3205AC3

Double row angular contact ball bearings

Double row angular contact ball bearing, polyamide cage, open

VISUAL (S)



3205AC3

Double row angular contact ball bearings

PRODUCT DEFINITION

Brand	SNR
d - Internal diameter	25 mm
D - External diameter	52 mm
B - Bearing/Inner ring width	20,6 mm
d1 - External diameter inner ring	30,8 mm
D1 - Inner diameter outer ring	46,7 mm
a - Charge load application point	26,8 mm
- Contact angle	25 °
rs - Min fillet radius	1 mm
Radial clearance class	C3
Precision class	P0
Mass	0,168 kg

PRODUCT PERFORMANCE

C - Dynamic load	20,8 kN
C0 - Static load	14,7 kN
Cu - Fatigue limit load	0,91 kN
f0 - Coefficient	14.3
Nref - Reference thermal speed	9700 tr/min
Nlim - Mechanical Limit Speed	13000 tr/min
Tmin - Min operating temperature	-20 °C
Tmax - Max operating temperature	120 °C

BEARING FREQUENCIES

BPFO - Characteristic outer ring frequency (60 rpm)	3.659 Hz
--	----------

3205AC3

Double row angular contact ball bearings

BEARING FREQUENCIES

BPFI - Characteristic inner ring frequency (60 rpm)	5.341 Hz
FTF - Characteristic cage frequency (60 rpm)	0.407 Hz
BSF - Characteristic rolling element frequency (60 rpm)	4.681 Hz

ABUTMENT

da min - Min shoulder diameter IR	30 mm
Da max - Max shoulder diameter OR	47 mm
ra max - Max shaft & housing fillet radius	1 mm