



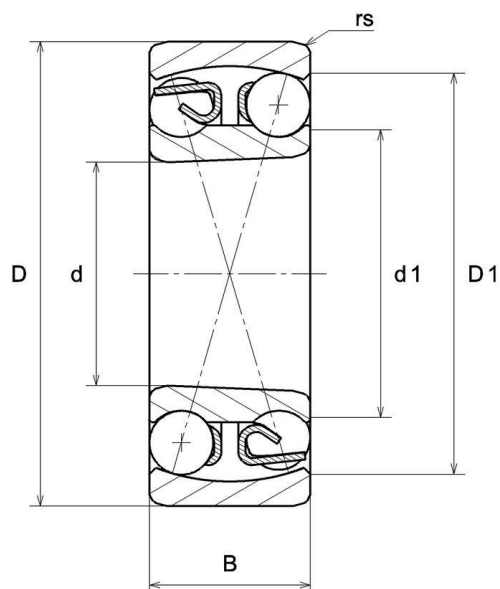
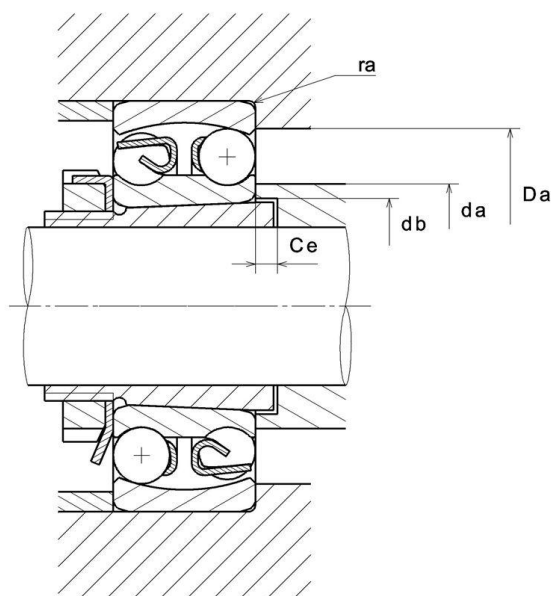
**Technical data**

**2315KC3**

Double-row self-aligning ball bearings

Self-aligning ball bearing, pressed steel cage, tapered bore, open

**VISUAL (S)**



# 2315KC3

Double-row self-aligning ball bearings

## PRODUCT DIMENSIONS

<b>Internal diameter (d)</b>	75 mm
<b>External diameter (D)</b>	160 mm
<b>Bearing/Inner ring width (B)</b>	55 mm
<b>External diameter inner ring d1</b>	100,7 mm
<b>Inner diameter outer ring (D1)</b>	135,1 mm
<b>Min fillet radius (rs)</b>	2,1 mm
<b>Associated sleeve reference</b>	H2315
<b>Coef (e)</b>	0.38
<b>Lower axial load coef (Y1)</b>	1.66
<b>Upper axial load coef (Y2)</b>	2.56
<b>Static axial load coef (Y0)</b>	1.73
<b>Radial clearance class</b>	C3
<b>Precision class</b>	P0
<b>Mass</b>	4,65 kg
<b>Brand</b>	SNR

## PRODUCT PERFORMANCE

<b>Dynamic load (C)</b>	120 kN
<b>Static load (C0)</b>	42,9 kN
<b>Fatigue limit load (Cu)</b>	1,8 kN
<b>Reference thermal speed (Nref)</b>	5600 tr/min
<b>Mechanical Limit Speed (Nlim)</b>	5700 tr/min
<b>Min operating temperature (Tmin)</b>	-40 °C
<b>Max operating temperature (Tmax)</b>	120 °C

# 2315KC3

Double-row self-aligning ball bearings

ABUTMENT	
Min shoulder diameter IR (da min)	86 mm
Max shoulder diameter IR (da max)	95 mm
Min diameter for Sleeve (db)	82 mm
Min length fro Sleeve (Ce)	5 mm
Max shoulder diameter OR (Da max)	149 mm
Max shaft & housing fillet radius (ra max)	2 mm