



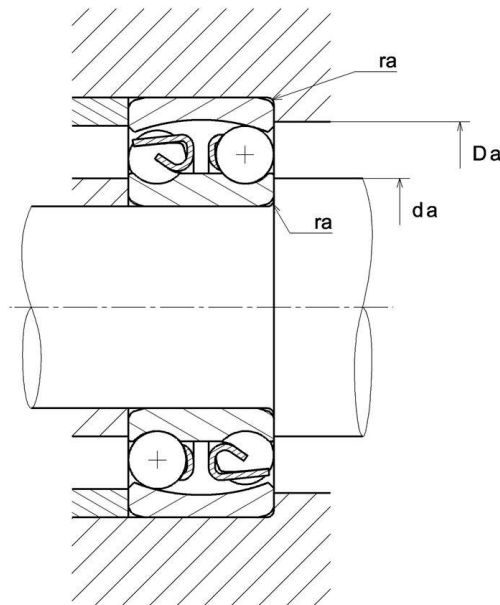
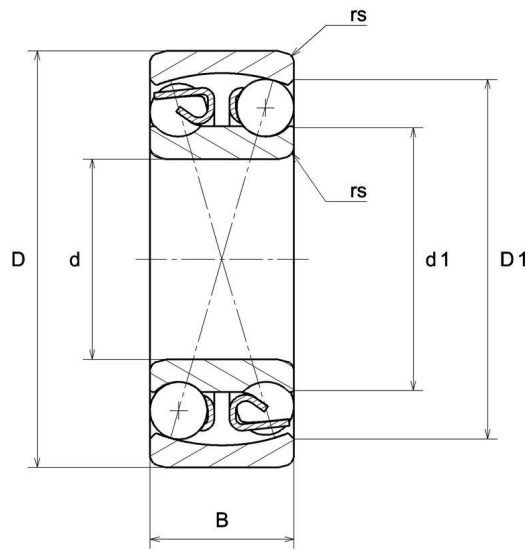
**Technical data**

**2315C3**

Double-row self-aligning ball bearings

Self-aligning ball bearing, pressed steel cage, open

**VISUAL (S)**



# 2315C3

## Double-row self-aligning ball bearings

### PRODUCT DIMENSIONS

<b>Internal diameter (d)</b>	75 mm
<b>External diameter (D)</b>	160 mm
<b>Bearing/Inner ring width (B)</b>	55 mm
<b>External diameter inner ring d1</b>	100,7 mm
<b>Inner diameter outer ring (D1)</b>	135,1 mm
<b>Min fillet radius (rs)</b>	2,1 mm
<b>Coef (e)</b>	0.38
<b>Lower axial load coef (Y1)</b>	1.66
<b>Upper axial load coef (Y2)</b>	2.56
<b>Static axial load coef (Y0)</b>	1.73
<b>Radial clearance class</b>	C3
<b>Precision class</b>	P0
<b>Mass</b>	4,77 kg
<b>Brand</b>	SNR

### PRODUCT PERFORMANCE

<b>Dynamic load (C)</b>	120 kN
<b>Static load (C0)</b>	42,9 kN
<b>Fatigue limit load (Cu)</b>	1,8 kN
<b>Reference thermal speed (Nref)</b>	5600 tr/min
<b>Mechanical Limit Speed (Nlim)</b>	5700 tr/min
<b>Min operating temperature (Tmin)</b>	-40 °C
<b>Max operating temperature (Tmax)</b>	120 °C

# 2315C3

Double-row self-aligning ball bearings

## ABUTMENT

<b>Min shoulder diameter IR (da min)</b>	86 mm
<b>Max shoulder diameter OR (Da max)</b>	149 mm
<b>Max shaft &amp; housing fillet radius (ra max)</b>	2 mm