



Technical data

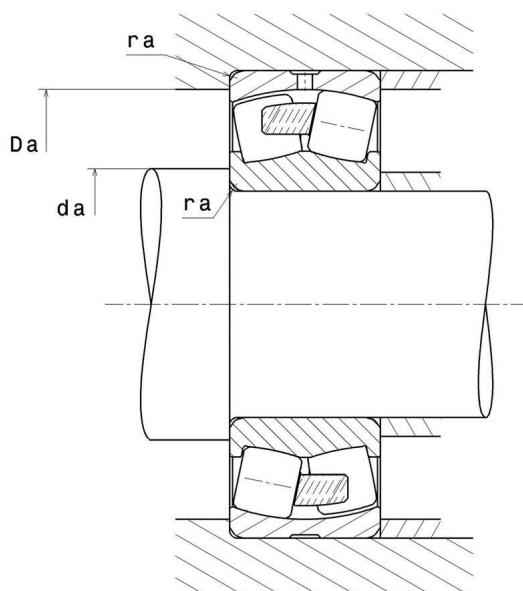
22330EMW33

Spherical roller bearings

Spherical roller bearing, one-piece machined cage, groove and lubrication holes on outer ring

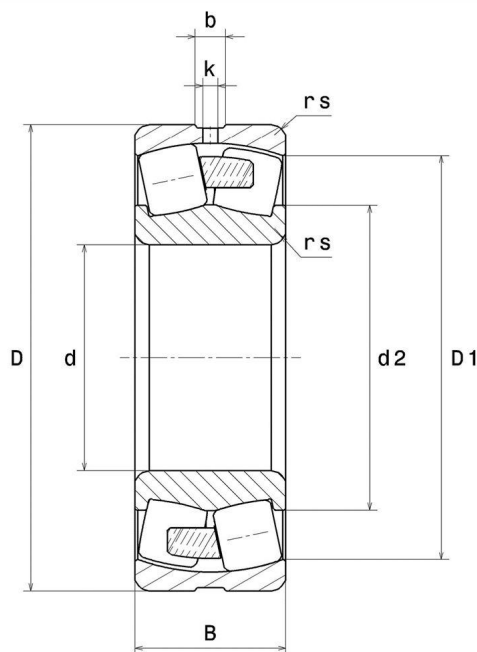
ULTAGE

VISUAL (S)



22330EMW33

Spherical roller bearings



PRODUCT DIMENSIONS

Internal diameter d	150 mm
External diameter D	320 mm
Bearing/Inner ring width(B)	108 mm
External diameter inner ring d2	201 mm
Inner diameter outer ring D1	278,3 mm
Min fillet radius rs	4 mm
Number of lubrication holes	3 or 8
Groove width (b)	19,94 mm
Hole diameter (k)	9 mm
Coef e	0.34
Lower axial load coef (Y1)	2.0
Upper axial load coef (Y2)	2.98
Static axial load coef (Y0)	1.96
Radial clearance class	CN
Mass	41,96 kg
Brand	SNR

PRODUCT PERFORMANCE

Dynamic load, C	1740 kN
------------------------	---------

PRODUCT PERFORMANCE

Static load, C₀	1890 kN
Fatigue limit load, C_u	177 kN
Reference thermal speed (N_{ref})	1500 tr/min
Mechanical Limit Speed N_{lim}	2100 tr/min
Min operating temperature, T_{min}	-40 °C
Max operating temperature, T_{max}	200 °C
Characteristic cage frequency, FTF	0.405 Hz
Characteristic rolling element frequency, BSF	4.957 Hz
Characteristic outer ring frequency, BPF₀	6.077 Hz
Characteristic inner ring frequency, BPFI	8.923 Hz

ABUTMENT

Max shoulder diameter IR da max	0 mm
Min shoulder diameter IR da min	167 mm
Max shoulder diameter OR Da max	303 mm
Max shaft & housing fillet radius ra max	3 mm

INDUSTRY CALCUL FACTORS

Equivalent dynamic radial load

$$P = X.F_r + Y.F_a$$

Fa / Fr ≤ e		Fa / Fr > e	
X	Y	X	Y
1	Y1	0.67	Y2

Equivalent static radial load

$$P_0 = X_0.F_r + Y_0.F_a$$

X ₀	Y ₀
1	Y0

The values for e, Y1, Y2 and Y0 are shown in the above table .