



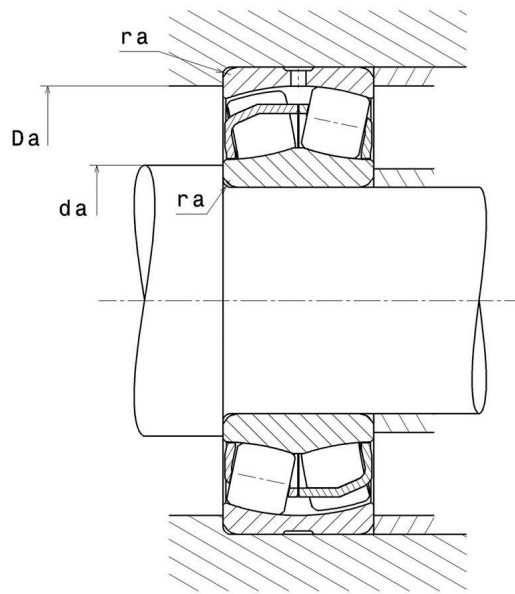
Technical data

22328EAW33C3
Spherical roller bearings

Spherical roller bearing, pressed steel cage, groove and lubrication holes on outer ring

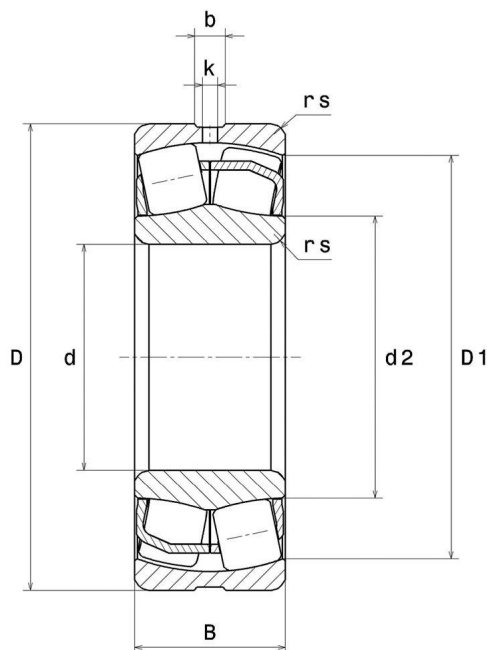
ULTAGE

VISUAL (S)



22328EAW33C3

Spherical roller bearings



PRODUCT DIMENSIONS

Internal diameter d	140 mm
External diameter D	300 mm
Bearing/Inner ring width(B)	102 mm
External diameter inner ring d2	181,7 mm
Inner diameter outer ring D1	260,3 mm
Min fillet radius rs	4 mm
Number of lubrication holes	3 or 4
Groove width (b)	18,94 mm
Hole diameter (k)	9 mm
Coef e	0.33
Lower axial load coef (Y1)	2.03
Upper axial load coef (Y2)	3.02
Static axial load coef (Y0)	1.98
Radial clearance class	C3
Mass	34,13 kg
Brand	SNR

PRODUCT PERFORMANCE

Dynamic load, C	1540 kN
------------------------	---------

PRODUCT PERFORMANCE

Static load, C0	1720 kN
Fatigue limit load, Cu	163 kN
Reference thermal speed (Nref)	1600 tr/min
Mechanical Limit Speed Nlim	2200 tr/min
Min operating temperature, Tmin	-40 °C
Max operating temperature, Tmax	200 °C
Characteristic cage frequency, FTF	0.411 Hz
Characteristic rolling element frequency, BSF	5.303 Hz
Characteristic outer ring frequency, BPF0	6.574 Hz
Characteristic inner ring frequency, BPFI	9.426 Hz

ABUTMENT

Max shoulder diameter IR da max	0 mm
Min shoulder diameter IR da min	157 mm
Max shoulder diameter OR Da max	283 mm
Max shaft & housing fillet radius ra max	3 mm

INDUSTRY CALCUL FACTORS

Equivalent dynamic radial load

$$P = X.F_r + Y.F_a$$

Fa / Fr ≤ e		Fa / Fr > e	
X	Y	X	Y
1	Y1	0.67	Y2

Equivalent static radial load

$$P_0 = X_0.F_r + Y_0.F_a$$

X ₀	Y ₀
1	Y0

The values for e, Y1, Y2 and Y0 are shown in the above table .