



Technical data

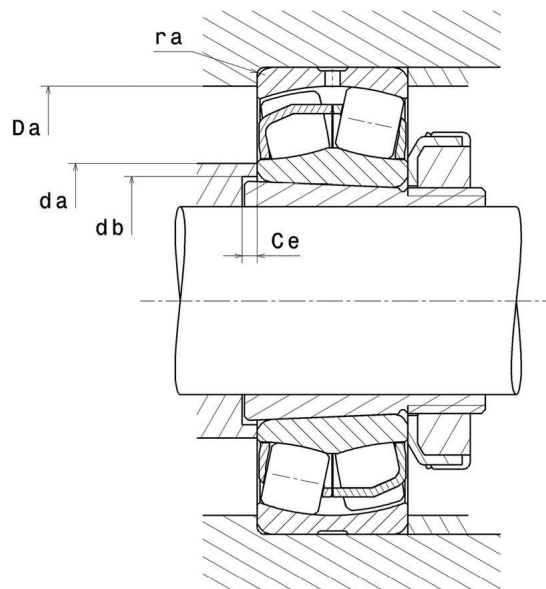
22322EAKW33C3

Spherical roller bearings

Spherical roller bearing, pressed steel cage, groove and lubrication holes on outer ring, tapered bore 1:12

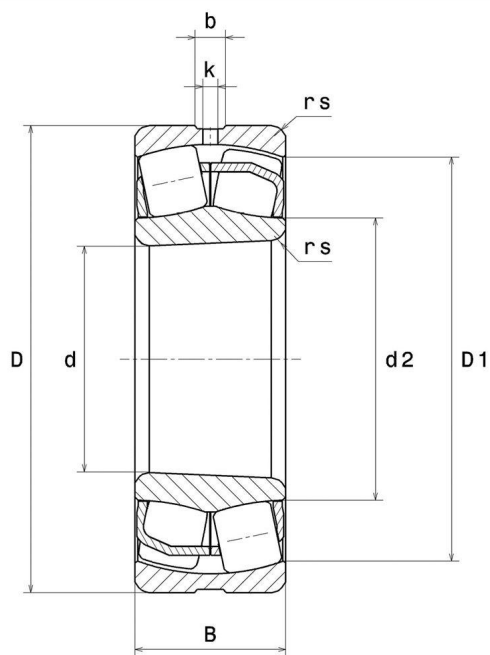
ULTAGE

VISUAL (S)



22322EAKW33C3

Spherical roller bearings



PRODUCT DIMENSIONS

Internal diameter (d)	110 mm
External diameter (D)	240 mm
Bearing/Inner ring width (B)	80 mm
External diameter inner ring (d2)	138,9 mm
Inner diameter outer ring (D1)	208,1 mm
Min fillet radius (rs)	3 mm
Number of lubrication holes	3 or 4
Groove width (b)	15,57 mm
Hole diameter (k)	7 mm
Associated sleeve reference	H2322
Coef (e)	0.32
Lower axial load coef (Y1)	2.09
Upper axial load coef (Y2)	3.11

PRODUCT DIMENSIONS

Static axial load coef (Y0)	2.04
Radial clearance class	C3
Mass	16,514 kg
Brand	SNR

PRODUCT PERFORMANCE

Dynamic load (C)	975 kN
Static load (C0)	972 kN
Fatigue limit load (Cu)	99,4 kN
Reference thermal speed (Nref)	2300 tr/min
Mechanical Limit Speed (Nlim)	2800 tr/min
Min operating temperature (Tmin)	-40 °C
Max operating temperature (Tmax)	200 °C

ABUTMENT

Max shoulder diameter IR (da max)	0 mm
Min shoulder diameter IR (da min)	124 mm
Min diameter for Sleeve (db)	121 mm
Min length fro Sleeve (Ce)	7 mm
Max shoulder diameter OR (Da max)	226 mm
Max shaft & housing fillet radius (ra max)	2,5 mm

INDUSTRY CALCUL FACTORS

Equivalent dynamic radial load

$$P = X.F_r + Y.F_a$$

Fa / Fr ≤ e		Fa / Fr > e	
X	Y	X	Y
1	Y1	0.67	Y2

Equivalent static radial load

$$P_o = X_o.F_r + Y_o.F_a$$

X _o	Y _o
1	Y0

The values for e, Y1, Y2 and Y0 are shown in the above table .