



Technical data

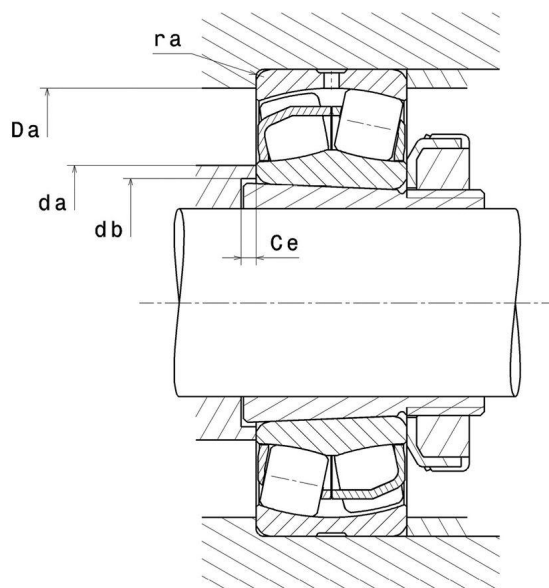
22318EAKW33C3

Spherical roller bearings

Spherical roller bearing, pressed steel cage, groove and lubrication holes on outer ring, tapered bore 1:12

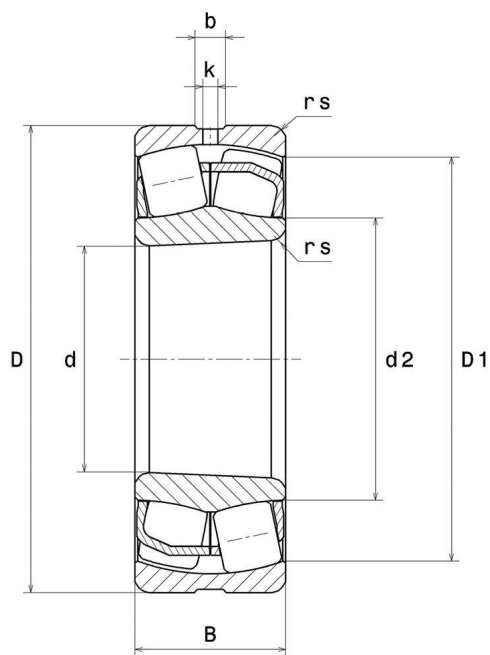
ULTAGE

VISUAL (S)



22318EAKW33C3

Spherical roller bearings



PRODUCT DIMENSIONS

Internal diameter d	90 mm
External diameter D	190 mm
Bearing/Inner ring width(B)	64 mm
External diameter inner ring d2	110,1 mm
Inner diameter outer ring D1	165,1 mm
Min fillet radius rs	3 mm
Number of lubrication holes	3 or 4
Groove width (b)	12 mm
Hole diameter (k)	5 mm
Associated sleeve reference	H2318
Coef e	0.33
Lower axial load coef (Y1)	2.06
Upper axial load coef (Y2)	3.07
Static axial load coef (Y0)	2.01
Radial clearance class	C3
Mass	8,16 kg
Brand	SNR

PRODUCT PERFORMANCE

NTN-SNR ROULEMENTS

www.ntn-snr.com

1 rue des Usines - 74010 Annecy Cedex - France - Tel. +33 (0)4 50 65 30 00

S.A. au capital de 123 599 542 € - RCS ANNECY B 325 821 072 - Id. Fiscale : FR 48 325 821 072

SIRET 325 821 072 00015 - Code APE 2815 Z - Code NACE 28.15

PRODUCT PERFORMANCE

Dynamic load, C	668 kN
Static load, C0	652 kN
Fatigue limit load, Cu	71,4 kN
Reference thermal speed (Nref)	3000 tr/min
Mechanical Limit Speed Nlim	3500 tr/min
Min operating temperature, Tmin	-40 °C
Max operating temperature, Tmax	200 °C
Characteristic cage frequency, FTF	0.4 Hz
Characteristic rolling element frequency, BSF	4.685 Hz
Characteristic outer ring frequency, BPF0	5.599 Hz
Characteristic inner ring frequency, BPGI	8.401 Hz

ABUTMENT

Max shoulder diameter IR da max	0 mm
Min shoulder diameter IR da min	104 mm
Min diameter for Sleeve db	100 mm
Min length fro Sleeve Ce	7 mm
Max shoulder diameter OR Da max	176 mm
Max shaft & housing fillet radius ra max	2,5 mm

INDUSTRY CALCUL FACTORS

Equivalent dynamic radial load

$$P = X.F_r + Y.F_a$$

Fa / Fr ≤ e		Fa / Fr > e	
X	Y	X	Y
1	Y1	0.67	Y2

Equivalent static radial load

$$P_0 = X_0.F_r + Y_0.F_a$$

X ₀	Y ₀
1	Y0

The values for e, Y1, Y2 and Y0 are shown in the above table .