



Technical data

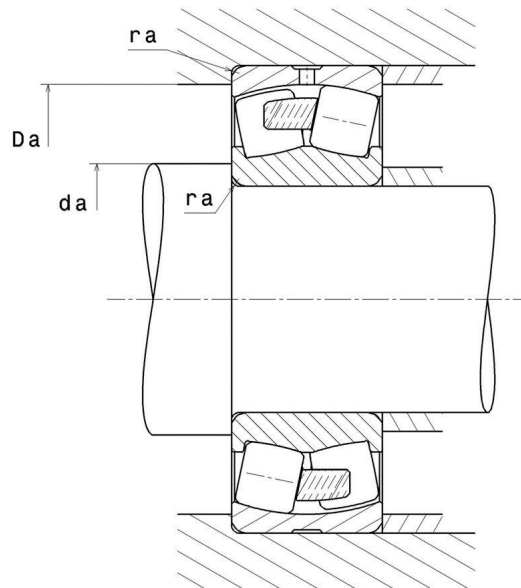
22317EF800

Spherical roller bearings

Spherical roller bearing for vibratory applications, one-piece machined cage, groove and lubrication holes on outer ring, special C4 class clearance

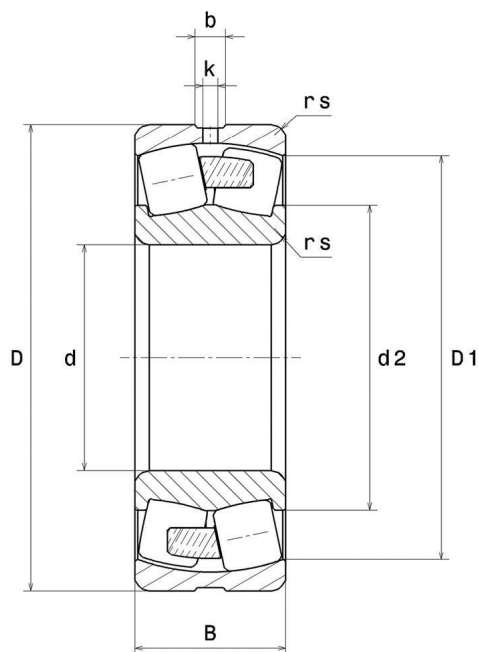
ULTAGE

VISUAL (S)



22317EF800

Spherical roller bearings



PRODUCT DIMENSIONS

Internal diameter d	85 mm
External diameter D	180 mm
Bearing/Inner ring width(B)	60 mm
External diameter inner ring d2	107,9 mm
Inner diameter outer ring D1	156,7 mm
Min fillet radius rs	3 mm
Number of lubrication holes	3 or 4
Groove width (b)	10,98 mm
Hole diameter (k)	5 mm
Coef e	0.32
Lower axial load coef (Y1)	2.09
Upper axial load coef (Y2)	3.11
Static axial load coef (Y0)	2.04
Radial clearance class	C4 Special
Mass	7,16 kg
Brand	SNR

PRODUCT PERFORMANCE

Dynamic load, C	599 kN
------------------------	--------

PRODUCT PERFORMANCE

Static load, C₀	604 kN
Fatigue limit load, C_u	67 kN
Reference thermal speed (N_{ref})	3200 tr/min
Mechanical Limit Speed N_{lim}	3600 tr/min
Min operating temperature, T_{min}	-40 °C
Max operating temperature, T_{max}	200 °C
Characteristic cage frequency, FTF	0.407 Hz
Characteristic rolling element frequency, BSF	5.096 Hz
Characteristic outer ring frequency, BPF₀	6.111 Hz
Characteristic inner ring frequency, BPFI	8.889 Hz

ABUTMENT

Max shoulder diameter IR da max	0 mm
Min shoulder diameter IR da min	99 mm
Max shoulder diameter OR Da max	166 mm
Max shaft & housing fillet radius ra max	2,5 mm

INDUSTRY CALCUL FACTORS

Equivalent dynamic radial load

$P = X.F_r + Y.F_a$

Fa / Fr ≤ e		Fa / Fr > e	
X	Y	X	Y
1	Y1	0.67	Y2

Equivalent static radial load

$P_o = X_o.F_r + Y_o.F_a$

X _o	Y _o
1	Y0

The values for e, Y1, Y2 and Y0 are shown in the above table .