



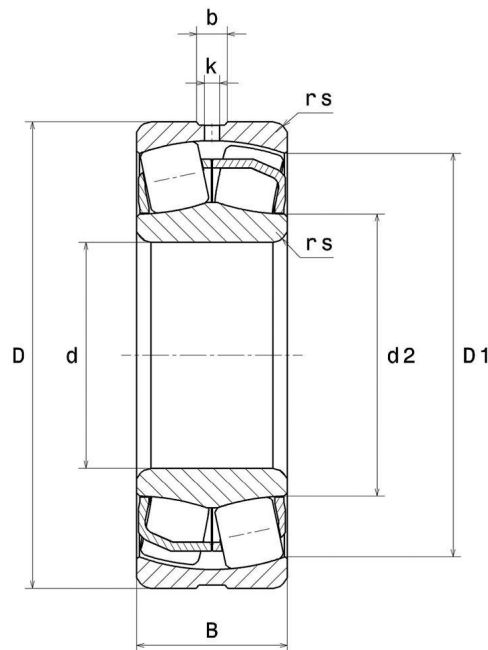
Technical data

22315EAW33C3
Spherical roller bearings

Spherical roller bearing, pressed steel cage, groove and lubrication holes on outer ring

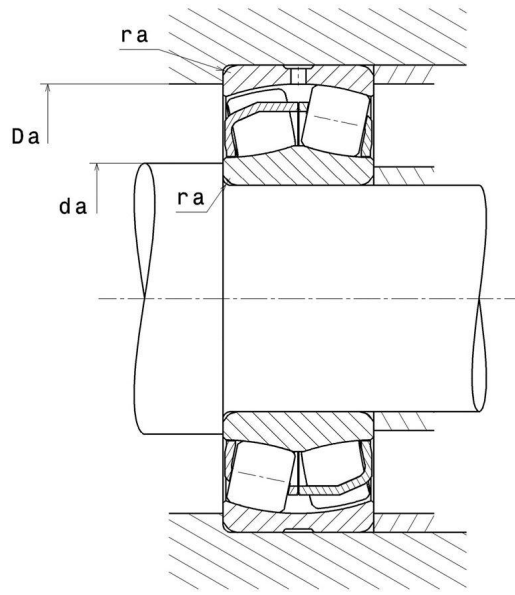
ULTAGE

VISUAL (S)



22315EAW33C3

Spherical roller bearings



PRODUCT DIMENSIONS

Internal diameter d	75 mm
External diameter D	160 mm
Bearing/Inner ring width(B)	55 mm
External diameter inner ring d2	91,9 mm
Inner diameter outer ring D1	138,3 mm
Min fillet radius rs	2,1 mm
Number of lubrication holes	3 or 4
Groove width (b)	10,49 mm
Hole diameter (k)	5 mm
Coef e	0.34
Lower axial load coef (Y1)	2.0
Upper axial load coef (Y2)	2.98
Static axial load coef (Y0)	1.96
Radial clearance class	C3
Mass	5,083 kg
Brand	SNR

PRODUCT PERFORMANCE

Dynamic load, C	491 kN
------------------------	--------

PRODUCT PERFORMANCE

Static load, C0	467 kN
Fatigue limit load, Cu	53,9 kN
Reference thermal speed (Nref)	3600 tr/min
Mechanical Limit Speed Nlim	4200 tr/min
Min operating temperature, Tmin	-40 °C
Max operating temperature, Tmax	200 °C
Characteristic cage frequency, FTF	0.399 Hz
Characteristic rolling element frequency, BSF	4.654 Hz
Characteristic outer ring frequency, BPF0	5.592 Hz
Characteristic inner ring frequency, BRF0	8.408 Hz

ABUTMENT

Max shoulder diameter IR da max	0 mm
Min shoulder diameter IR da min	87 mm
Max shoulder diameter OR Da max	148 mm
Max shaft & housing fillet radius ra max	2 mm

INDUSTRY CALCUL FACTORS

Equivalent dynamic radial load

$$P = X.F_r + Y.F_a$$

Fa / Fr ≤ e		Fa / Fr > e	
X	Y	X	Y
1	Y1	0.67	Y2

Equivalent static radial load

$$P_0 = X_0.F_r + Y_0.F_a$$

X ₀	Y ₀
1	Y0

The values for e, Y1, Y2 and Y0 are shown in the above table .