



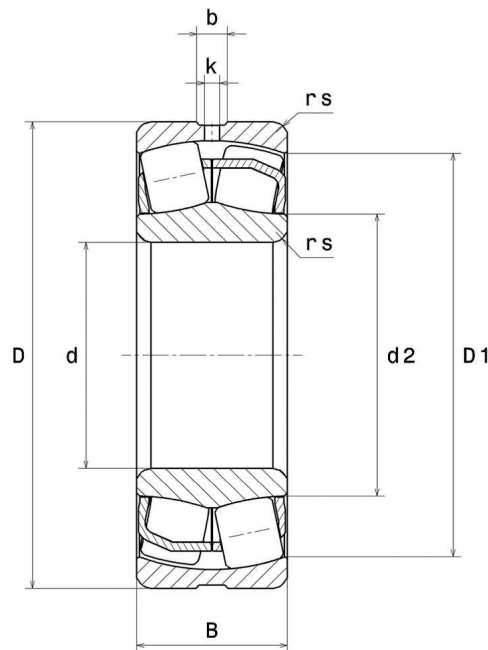
Technical data

22313EAW33C4
Spherical roller bearings

Spherical roller bearing, pressed steel cage, groove and lubrication holes on outer ring

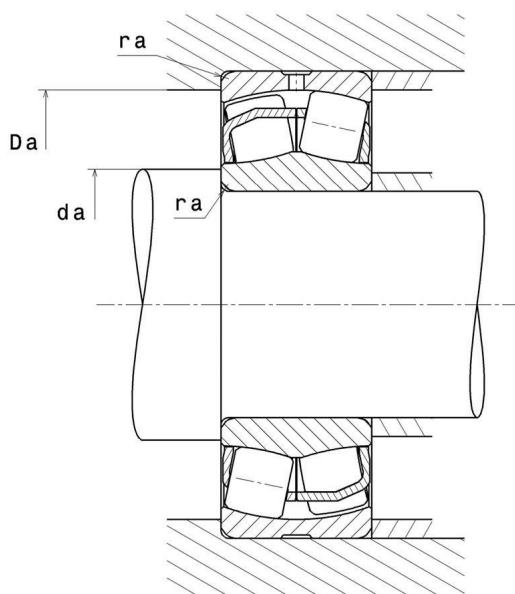
ULTAGE

VISUAL (S)



22313EAW33C4

Spherical roller bearings



PRODUCT DIMENSIONS

Internal diameter d	65 mm
External diameter D	140 mm
Bearing/Inner ring width(B)	48 mm
External diameter inner ring d2	81,3 mm
Inner diameter outer ring D1	121,2 mm
Min fillet radius rs	2,1 mm
Number of lubrication holes	3 or 4
Groove width (b)	9,24 mm
Hole diameter (k)	4 mm
Coef e	0.33
Lower axial load coef (Y1)	2.06
Upper axial load coef (Y2)	3.06
Static axial load coef (Y0)	2.01
Radial clearance class	C4
Mass	3,413 kg
Brand	SNR

PRODUCT PERFORMANCE

Dynamic load, C	369 kN
------------------------	--------

PRODUCT PERFORMANCE

Static load, C0	343 kN
Fatigue limit load, Cu	41,2 kN
Reference thermal speed (Nref)	4000 tr/min
Mechanical Limit Speed Nlim	4800 tr/min
Min operating temperature, Tmin	-40 °C
Max operating temperature, Tmax	200 °C
Characteristic cage frequency, FTF	0.401 Hz
Characteristic rolling element frequency, BSF	4.746 Hz
Characteristic outer ring frequency, BPF0	5.615 Hz
Characteristic inner ring frequency, BPFI	8.385 Hz

ABUTMENT

Max shoulder diameter IR da max	0 mm
Min shoulder diameter IR da min	77 mm
Max shoulder diameter OR Da max	128 mm
Max shaft & housing fillet radius ra max	2 mm

INDUSTRY CALCUL FACTORS

Equivalent dynamic radial load

$$P = X.F_r + Y.F_a$$

Fa / Fr ≤ e		Fa / Fr > e	
X	Y	X	Y
1	Y1	0.67	Y2

Equivalent static radial load

$$P_0 = X_0.F_r + Y_0.F_a$$

X ₀	Y ₀
1	Y0

The values for e, Y1, Y2 and Y0 are shown in the above table .