



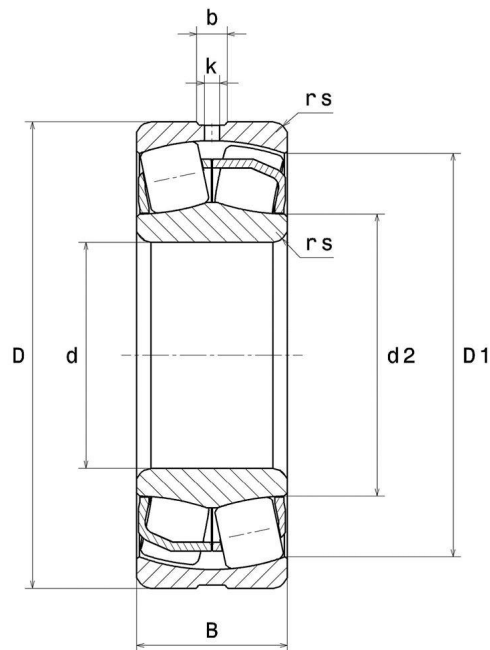
**Technical data**

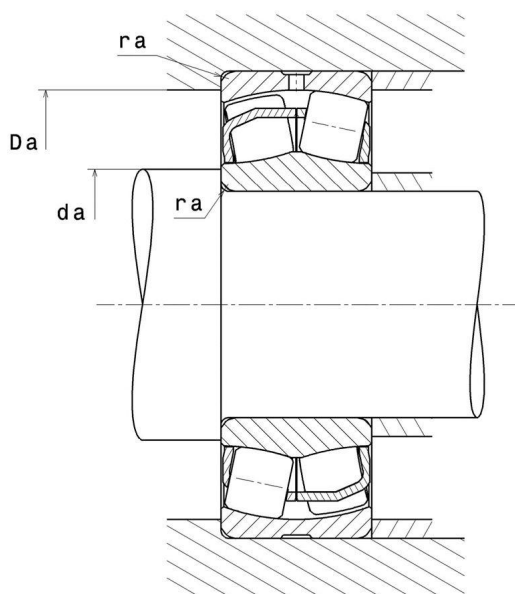
**22228EAW33C3**  
Spherical roller bearings

Spherical roller bearing, pressed steel cage, groove and lubrication holes on outer ring

**ULTAGE**

**VISUAL (S)**





### PRODUCT DIMENSIONS

<b>Internal diameter (d)</b>	140 mm
<b>External diameter (D)</b>	250 mm
<b>Bearing/Inner ring width (B)</b>	68 mm
<b>External diameter inner ring (d2)</b>	163,9 mm
<b>Inner diameter outer ring (D1)</b>	223,9 mm
<b>Min fillet radius (rs)</b>	3 mm
<b>Number of lubrication holes</b>	3 or 4
<b>Groove width (b)</b>	14,2 mm
<b>Hole diameter (k)</b>	7 mm
<b>Coef (e)</b>	0.25
<b>Lower axial load coef (Y1)</b>	2.74
<b>Upper axial load coef (Y2)</b>	4.08
<b>Static axial load coef (Y0)</b>	2.68

### PRODUCT DIMENSIONS

<b>Radial clearance class</b>	C3
<b>Mass</b>	14,2 kg
<b>Brand</b>	SNR

### PRODUCT PERFORMANCE

<b>Dynamic load (C)</b>	867 kN
<b>Static load (C0)</b>	1010 kN
<b>Fatigue limit load (Cu)</b>	100 kN
<b>Reference thermal speed (Nref)</b>	2500 tr/min
<b>Mechanical Limit Speed (Nlim)</b>	3300 tr/min
<b>Min operating temperature (Tmin)</b>	-40 °C
<b>Max operating temperature (Tmax)</b>	200 °C

### ABUTMENT

<b>Max shoulder diameter IR (da max)</b>	0 mm
<b>Min shoulder diameter IR (da min)</b>	154 mm
<b>Max shoulder diameter OR (Da max)</b>	236 mm
<b>Max shaft &amp; housing fillet radius (ra max)</b>	2,5 mm

**INDUSTRY CALCUL FACTORS**

**Equivalent dynamic radial load**

$$P = X.F_r + Y.F_a$$

Fa / Fr ≤ e		Fa / Fr > e	
X	Y	X	Y
1	Y1	0.67	Y2

**Equivalent static radial load**

$$P_0 = X_0.F_r + Y_0.F_a$$

X <sub>0</sub>	Y <sub>0</sub>
1	Y0

The values for e, Y1, Y2 and Y0 are shown in the above table .