



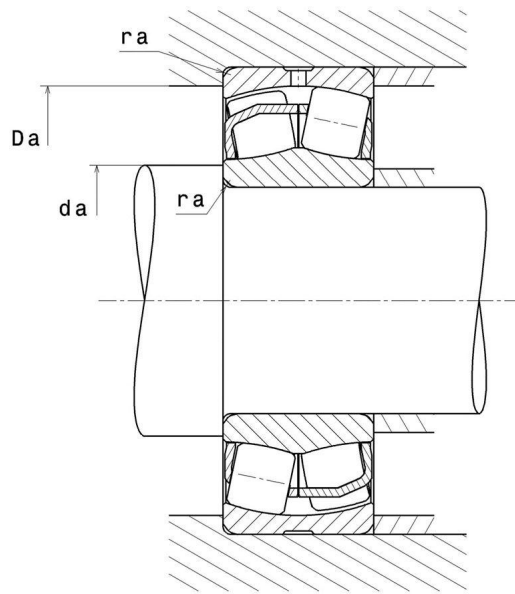
Technical data

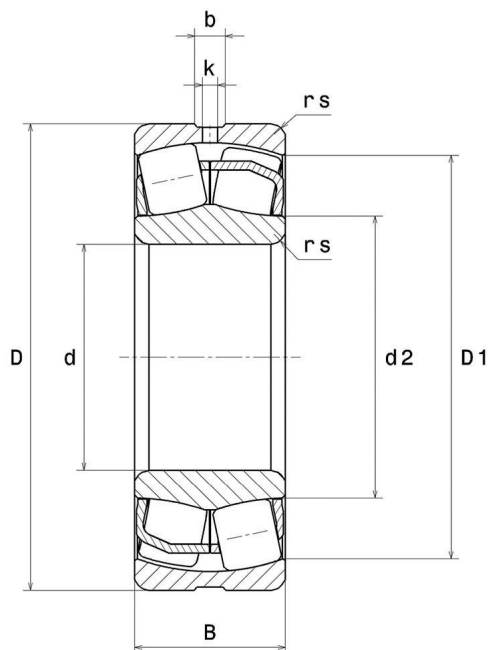
22218EAW33C3
Spherical roller bearings

Spherical roller bearing, pressed steel cage, groove and lubrication holes on outer ring

ULTAGE

VISUAL (S)





PRODUCT DIMENSIONS

Internal diameter (d)	90 mm
External diameter (D)	160 mm
Bearing/Inner ring width (B)	40 mm
External diameter inner ring (d2)	105,3 mm
Inner diameter outer ring (D1)	143,2 mm
Min fillet radius (rs)	2 mm
Number of lubrication holes	3 or 4
Groove width (b)	10,2 mm
Hole diameter (k)	4,5 mm
Coef (e)	0.23
Lower axial load coef (Y1)	2.9
Upper axial load coef (Y2)	4.31
Static axial load coef (Y0)	2.83

PRODUCT DIMENSIONS

Radial clearance class	C3
Mass	3,283 kg
Brand	SNR

PRODUCT PERFORMANCE

Dynamic load (C)	384 kN
Static load (C0)	398 kN
Fatigue limit load (Cu)	45,2 kN
Reference thermal speed (Nref)	3900 tr/min
Mechanical Limit Speed (Nlim)	5100 tr/min
Min operating temperature (Tmin)	-40 °C
Max operating temperature (Tmax)	200 °C

ABUTMENT

Max shoulder diameter IR (da max)	0 mm
Min shoulder diameter IR (da min)	101 mm
Max shoulder diameter OR (Da max)	149 mm
Max shaft & housing fillet radius (ra max)	2 mm

INDUSTRY CALCUL FACTORS

Equivalent dynamic radial load

$P = X.F_r + Y.F_a$

Fa / Fr ≤ e		Fa / Fr > e	
X	Y	X	Y
1	Y1	0.67	Y2

Equivalent static radial load

$P_o = X_o.F_r + Y_o.F_a$

X _o	Y _o
1	Y0

The values for e, Y1, Y2 and Y0 are shown in the above table .