



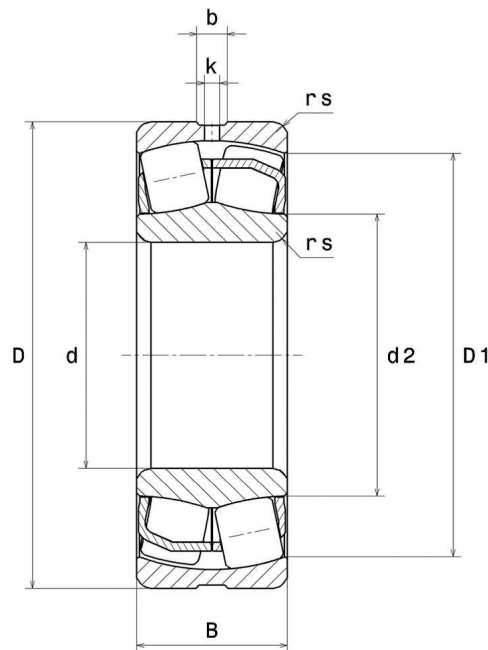
Technical data

22217EAW33C3
Spherical roller bearings

Spherical roller bearing, pressed steel cage, groove and lubrication holes on outer ring

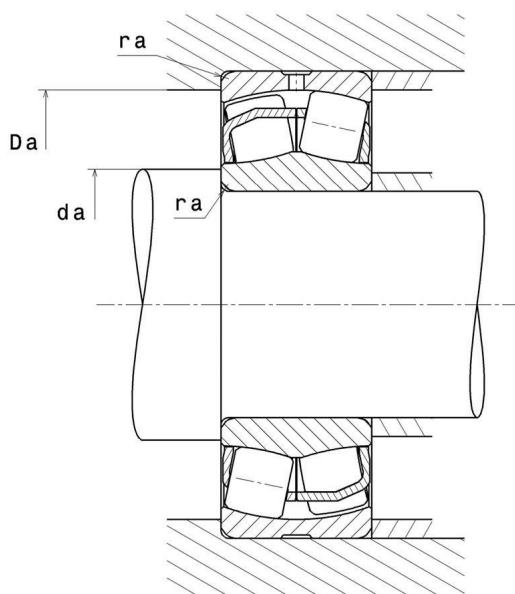
ULTAGE

VISUAL (S)



22217EAW33C3

Spherical roller bearings



PRODUCT DIMENSIONS

Internal diameter d	85 mm
External diameter D	150 mm
Bearing/Inner ring width(B)	36 mm
External diameter inner ring d2	100,7 mm
Inner diameter outer ring D1	136,5 mm
Min fillet radius rs	2 mm
Number of lubrication holes	3 or 4
Groove width (b)	7,05 mm
Hole diameter (k)	3,5 mm
Coef e	0.22
Lower axial load coef (Y1)	3.07
Upper axial load coef (Y2)	4.58
Static axial load coef (Y0)	3.01
Radial clearance class	C3
Mass	2,56 kg
Brand	SNR

PRODUCT PERFORMANCE

Dynamic load, C	324 kN
------------------------	--------

PRODUCT PERFORMANCE

Static load, C₀	330 kN
Fatigue limit load, C_u	38 kN
Reference thermal speed (N_{ref})	4100 tr/min
Mechanical Limit Speed N_{lim}	5400 tr/min
Min operating temperature, T_{min}	-40 °C
Max operating temperature, T_{max}	200 °C
Characteristic cage frequency, FTF	0.424 Hz
Characteristic rolling element frequency, BSF	6.369 Hz
Characteristic outer ring frequency, BPF₀	7.634 Hz
Characteristic inner ring frequency, BPF_I	10.366 Hz

ABUTMENT

Max shoulder diameter IR da max	0 mm
Min shoulder diameter IR da min	96 mm
Max shoulder diameter OR Da max	139 mm
Max shaft & housing fillet radius ra max	2 mm

INDUSTRY CALCUL FACTORS

Equivalent dynamic radial load

$$P = X.F_r + Y.F_a$$

Fa / Fr ≤ e		Fa / Fr > e	
X	Y	X	Y
1	Y1	0.67	Y2

Equivalent static radial load

$$P_0 = X_0.F_r + Y_0.F_a$$

X ₀	Y ₀
1	Y0

The values for e, Y1, Y2 and Y0 are shown in the above table .