



## Technical data

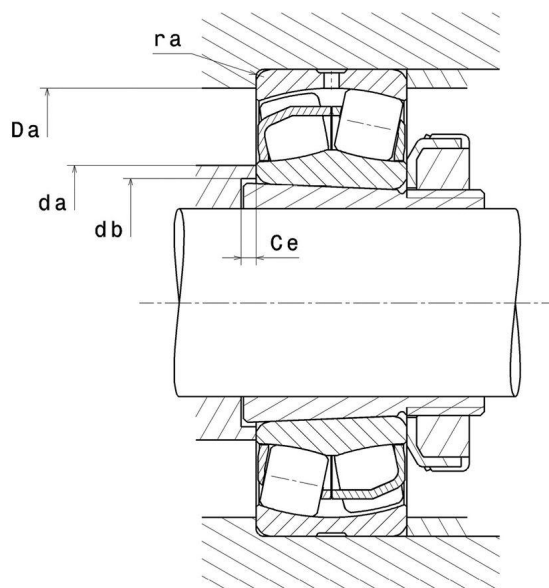
### 22215EAKW33

Spherical roller bearings

Spherical roller bearing, pressed steel cage, groove and lubrication holes on outer ring, tapered bore 1:12

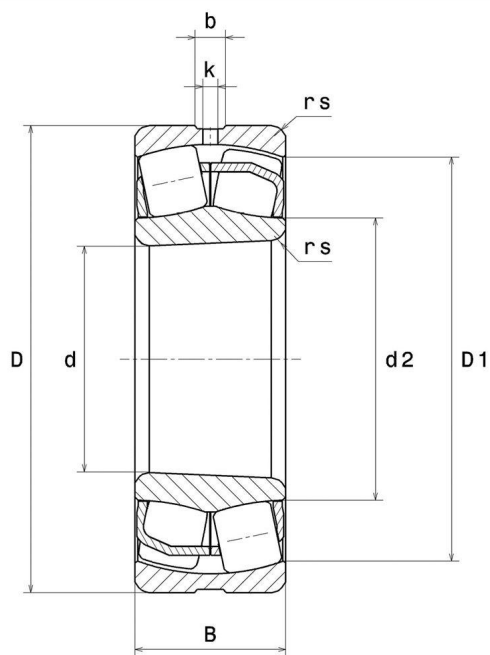
**ULTAGE**

## VISUAL (S)



# 22215EAKW33

Spherical roller bearings



## PRODUCT DIMENSIONS

<b>Internal diameter d</b>	75 mm
<b>External diameter D</b>	130 mm
<b>Bearing/Inner ring width(B)</b>	31 mm
<b>External diameter inner ring d2</b>	88,4 mm
<b>Inner diameter outer ring D1</b>	117,8 mm
<b>Min fillet radius rs</b>	1,5 mm
<b>Number of lubrication holes</b>	3 or 4
<b>Groove width (b)</b>	7,37 mm
<b>Hole diameter (k)</b>	3,5 mm
<b>Associated sleeve reference</b>	H315
<b>Coef e</b>	0.22
<b>Lower axial load coef (Y1)</b>	3.13
<b>Upper axial load coef (Y2)</b>	4.67
<b>Static axial load coef (Y0)</b>	3.06
<b>Radial clearance class</b>	CN
<b>Mass</b>	1,56 kg
<b>Brand</b>	SNR

## PRODUCT PERFORMANCE

### NTN-SNR ROULEMENTS

[www.ntn-snr.com](http://www.ntn-snr.com)

1 rue des Usines - 74010 Annecy Cedex - France - Tel. +33 (0)4 50 65 30 00

S.A. au capital de 123 599 542 € - RCS ANNECY B 325 821 072 - Id. Fiscale : FR 48 325 821 072

SIRET 325 821 072 00015 - Code APE 2815 Z - Code NACE 28.15

**PRODUCT PERFORMANCE**

<b>Dynamic load, C</b>	244 kN
<b>Static load, C0</b>	249 kN
<b>Fatigue limit load, Cu</b>	29,9 kN
<b>Reference thermal speed (Nref)</b>	4600 tr/min
<b>Mechanical Limit Speed Nlim</b>	6200 tr/min
<b>Min operating temperature, Tmin</b>	-40 °C
<b>Max operating temperature, Tmax</b>	200 °C
<b>Characteristic cage frequency, FTF</b>	0.428 Hz
<b>Characteristic rolling element frequency, BSF</b>	6.707 Hz
<b>Characteristic outer ring frequency, BPF0</b>	8.127 Hz
<b>Characteristic inner ring frequency, BPGI</b>	10.873 Hz

**ABUTMENT**

<b>Max shoulder diameter IR da max</b>	0 mm
<b>Min shoulder diameter IR da min</b>	84 mm
<b>Min diameter for Sleeve db</b>	80 mm
<b>Min length fro Sleeve Ce</b>	12 mm
<b>Max shoulder diameter OR Da max</b>	121 mm
<b>Max shaft &amp; housing fillet radius ra max</b>	1,5 mm

**INDUSTRY CALCUL FACTORS**

**Equivalent dynamic radial load**

$$P = X.F_r + Y.F_a$$

Fa / Fr ≤ e		Fa / Fr > e	
X	Y	X	Y
1	Y1	0.67	Y2

**Equivalent static radial load**

$$P_0 = X_0.F_r + Y_0.F_a$$

X <sub>0</sub>	Y <sub>0</sub>
1	Y0

The values for e, Y1, Y2 and Y0 are shown in the above table .